

Data sheet

Stainless steel ball valve, Eco-Line light, G 1-1/4", 0 to 63bar

Item number:

VS4500-5/4



Example illustration

Item description

Materials:

Housing: 1.4408, ball: 1.4408, seal: PTFE (15% GF), handle: 1.4301

Temperature range:

-20°C to +200°C

Operating range:

Water, steam, oil, compressed air, fuels, solvents, aggressive media

Optional:

Certificate 3.1

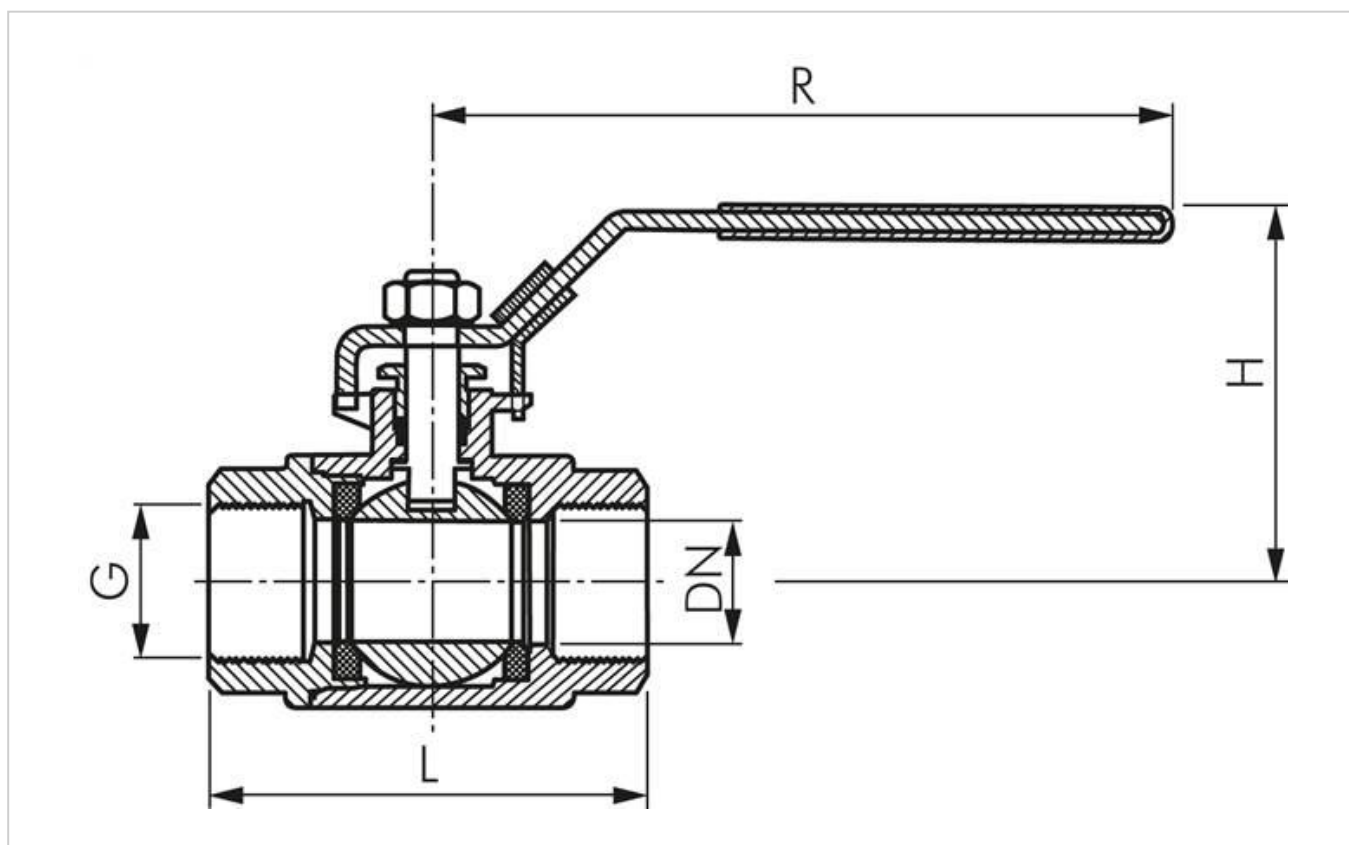
Properties

Version	Standard
G	G 1-1/4"
DN [mm]	32
L [mm]	88,7
PN [bar]	0 to 63
H [mm]	80
R [mm]	165

Further information:

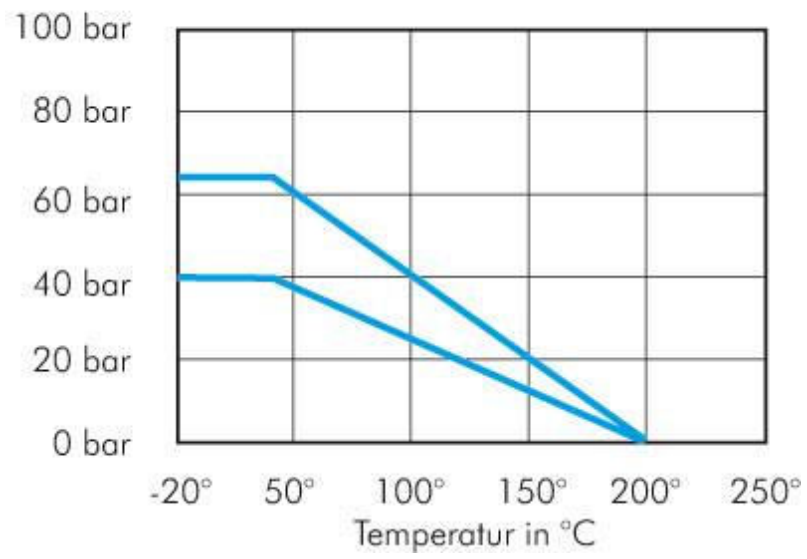
Weight	1,1 kg / pcs
GTIN	4050571407698
Customs duty number	84818081
RoHS compliant	Yes

Drawing:



Drawing

Diagramm 3 - PN 63



Drawing: Pressure-temperature diagram