

# Data sheet

---

## Stainless steel ball valve, Eco-Line light, G 2", 0 to 63bar

**Item number:**

VS4500-2



Example illustration

## Item description

**Materials:**

Housing: 1.4408, ball: 1.4408, seal: PTFE (15% GF), handle: 1.4301

**Temperature range:**

-20°C to +200°C

**Operating range:**

Water, steam, oil, compressed air, fuels, solvents, aggressive media

**Optional:**

Certificate 3.1

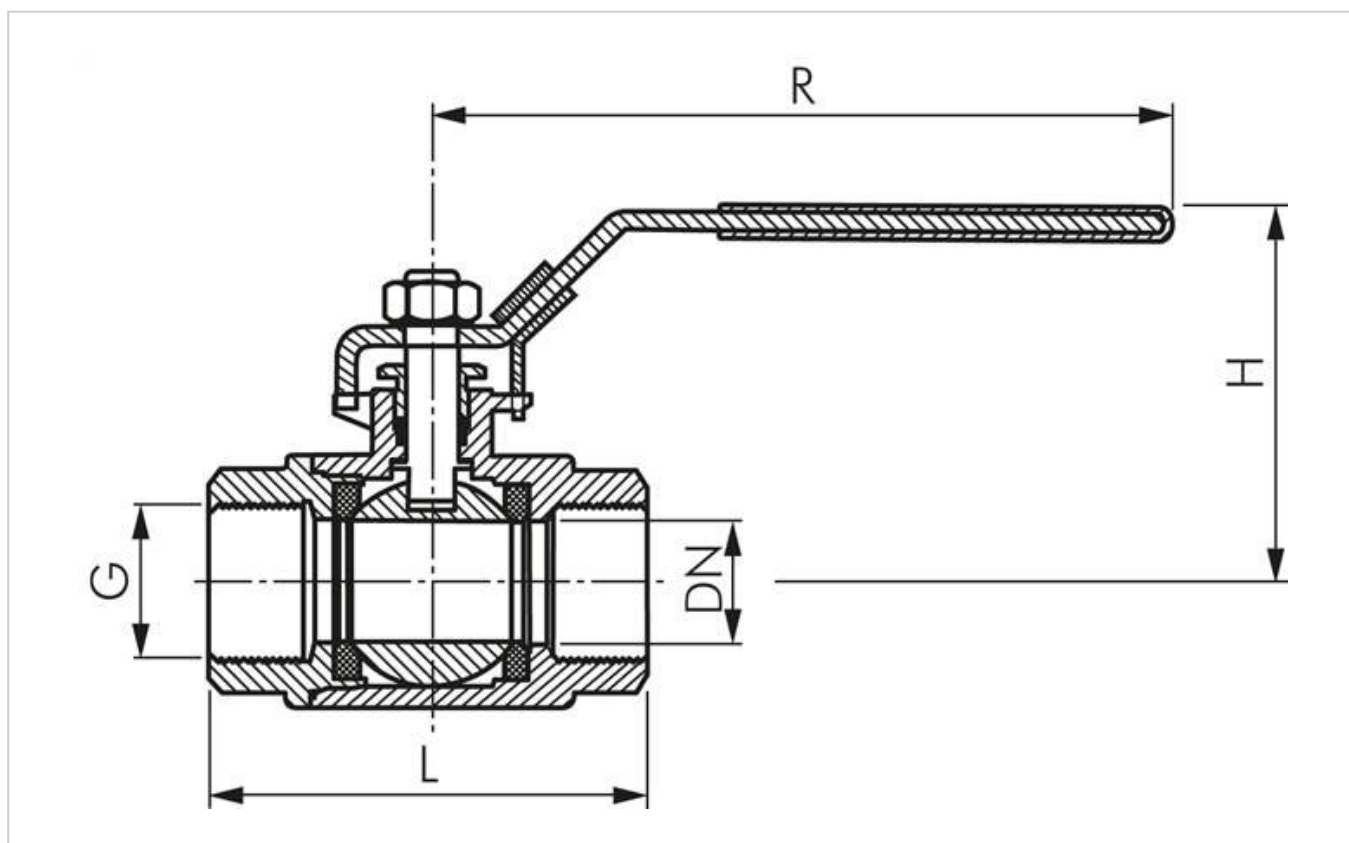
## Properties

<b>Version</b>	Standard
<b>G</b>	G 2"
<b>DN [mm]</b>	50
<b>L [mm]</b>	120,6
<b>PN [bar]</b>	0 to 63
<b>H [mm]</b>	103
<b>R [mm]</b>	183

## Further information:

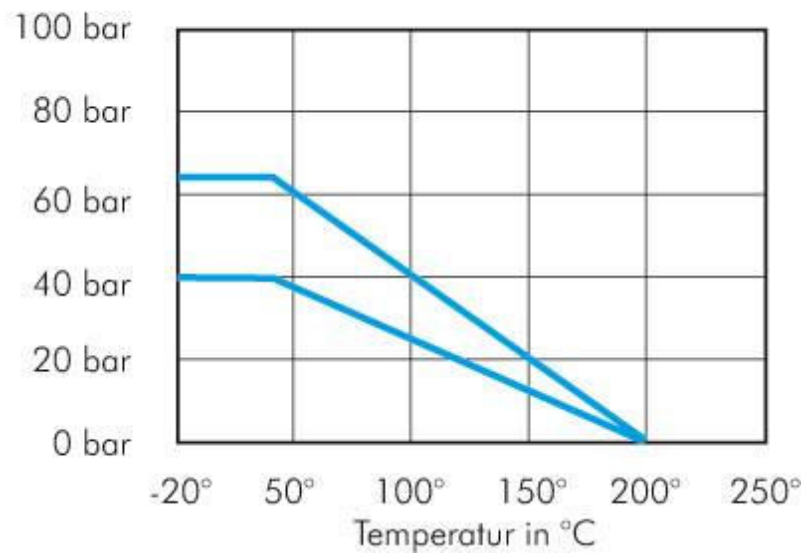
Weight	2,6 kg / pcs
GTIN	4050571411459
Customs duty number	84818081
RoHS compliant	Yes

## Drawing:



Drawing

### Diagramm 3 - PN 63



Drawing: Pressure-temperature diagram