

Data sheet

Stainless steel ball valve, Eco-Line light, G 1/2", 0 to 63bar

Item number:

VS4500-1/2



Example illustration

Item description

Materials:

Housing: 1.4408, ball: 1.4408, seal: PTFE (15% GF), handle: 1.4301

Temperature range:

-20°C to +200°C

Operating range:

Water, steam, oil, compressed air, fuels, solvents, aggressive media

Optional:

Certificate 3.1

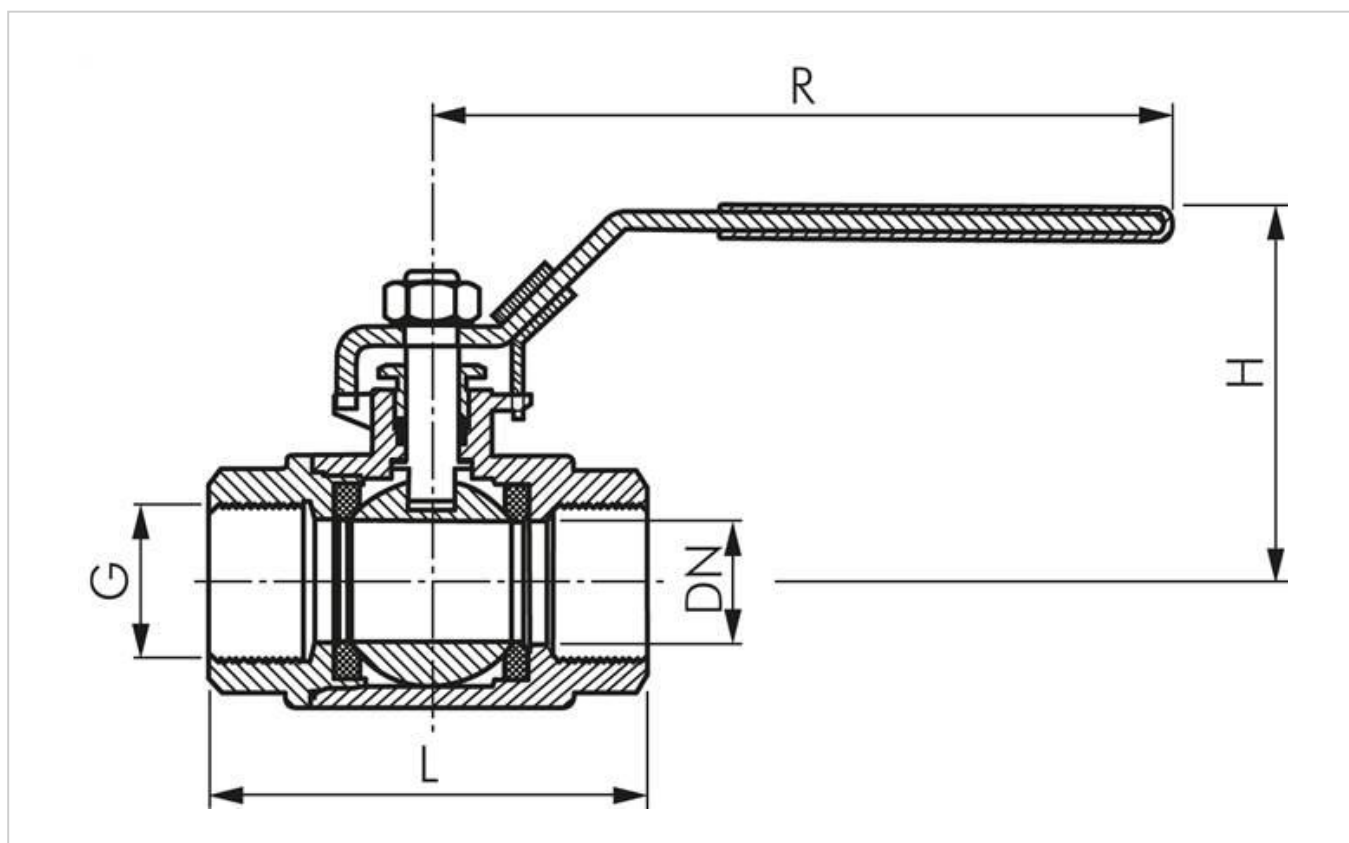
Properties

Version	Standard
G	G 1/2"
DN [mm]	15
L [mm]	59
PN [bar]	0 to 63
H [mm]	54
R [mm]	101

Further information:

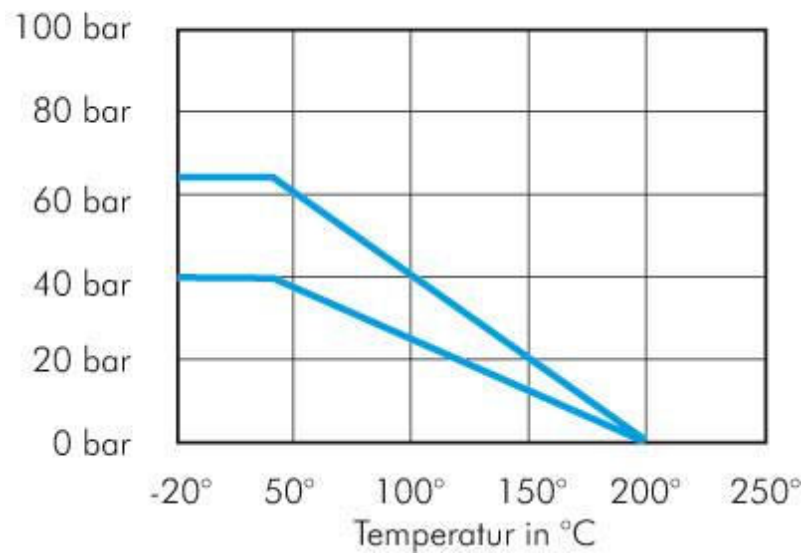
Weight	290 g / pcs
GTIN	4050571408879
Customs duty number	84818081
RoHS compliant	Yes

Drawing:



Drawing

Diagramm 3 - PN 63



Drawing: Pressure-temperature diagram