

Data sheet

Stainless steel ball valve, Eco-Line light, G 1", 0 to 63bar

Item number:

VS4500-1



Example illustration

Item description

Materials:

Housing: 1.4408, ball: 1.4408, seal: PTFE (15% GF), handle: 1.4301

Temperature range:

-20°C to +200°C

Operating range:

Water, steam, oil, compressed air, fuels, solvents, aggressive media

Optional:

Certificate 3.1

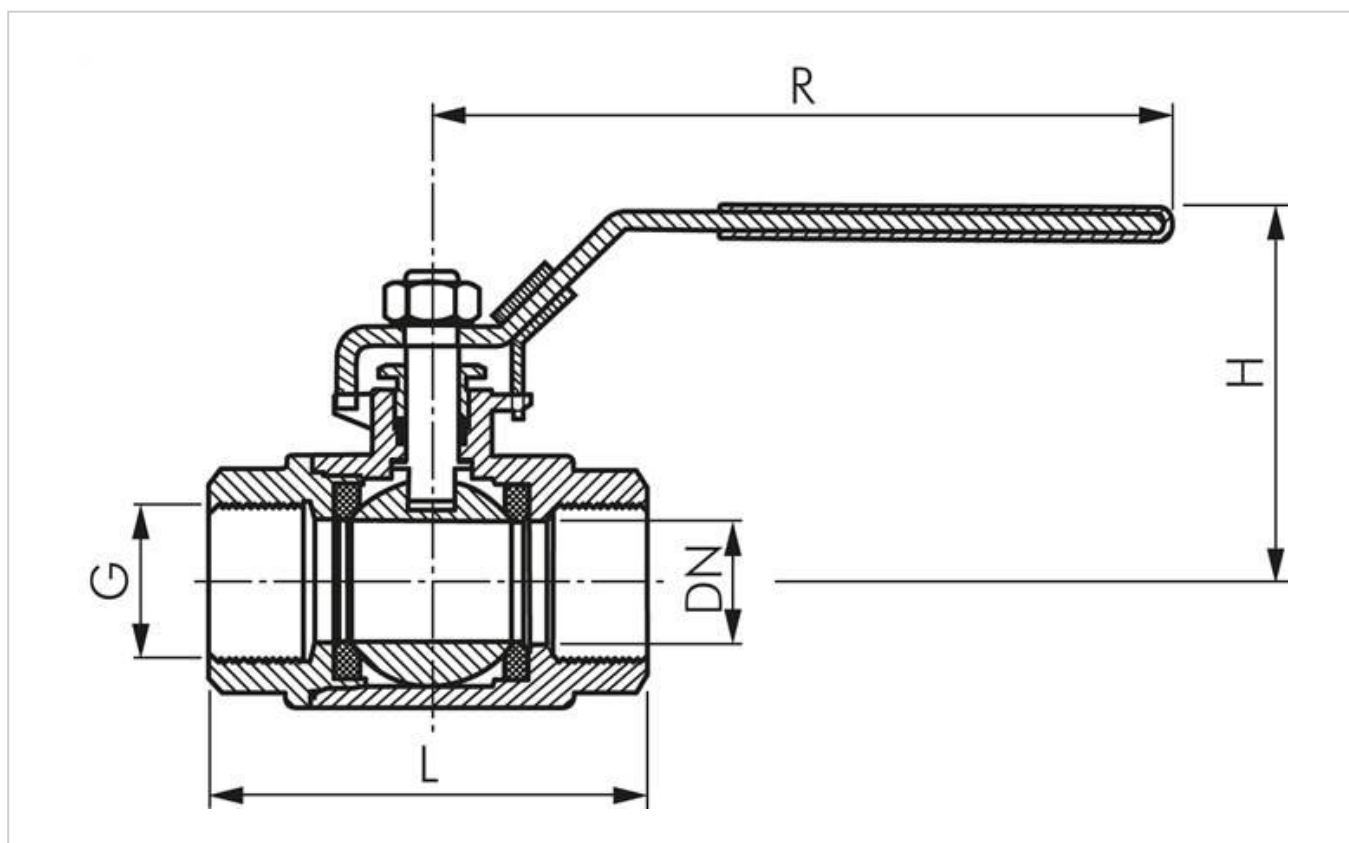
Properties

| | |
|-----------------|----------|
| Version | Standard |
| G | G 1" |
| DN [mm] | 25 |
| L [mm] | 75,5 |
| PN [bar] | 0 to 63 |
| H [mm] | 74 |
| R [mm] | 124 |

Further information:

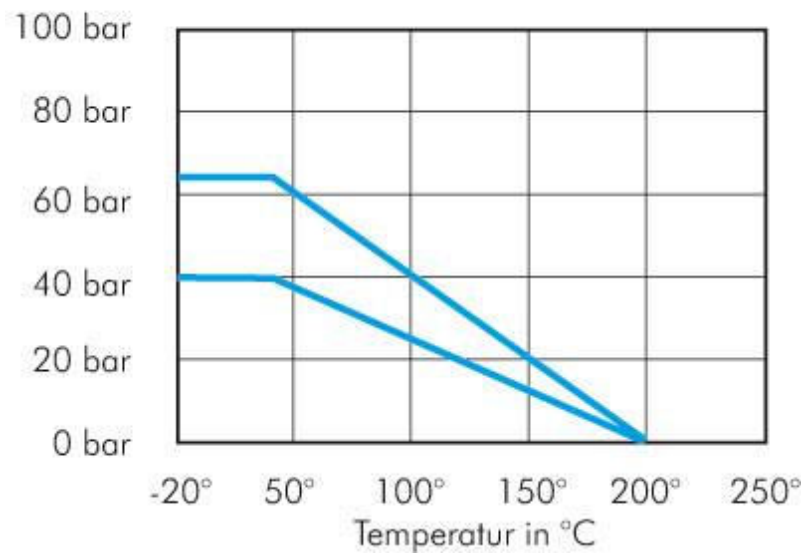
| | |
|---------------------|---------------|
| Weight | 650 g / pcs |
| GTIN | 4050571405694 |
| Customs duty number | 84818081 |
| RoHS compliant | Yes |

Drawing:



Drawing

Diagramm 3 - PN 63



Drawing: Pressure-temperature diagram