

# Data sheet

---

## stainless steel mini ball valve, G 1/4" Female thread /male thread, PN 63

**Item number:**

VS405-1/4 ES



Example illustration

## Item description

**Materials:**

Housing: 1.4408, ball: 1.4408, handle screw: 1.4301, seal: PTFE / FKM, handle: zinc diecasting

**Temperature range:**

-20°C to +200°C

**Operating range:**

Water, oil, compressed air, fuels, solvents, aggressive media

**Optional:**

Certificate 3.1

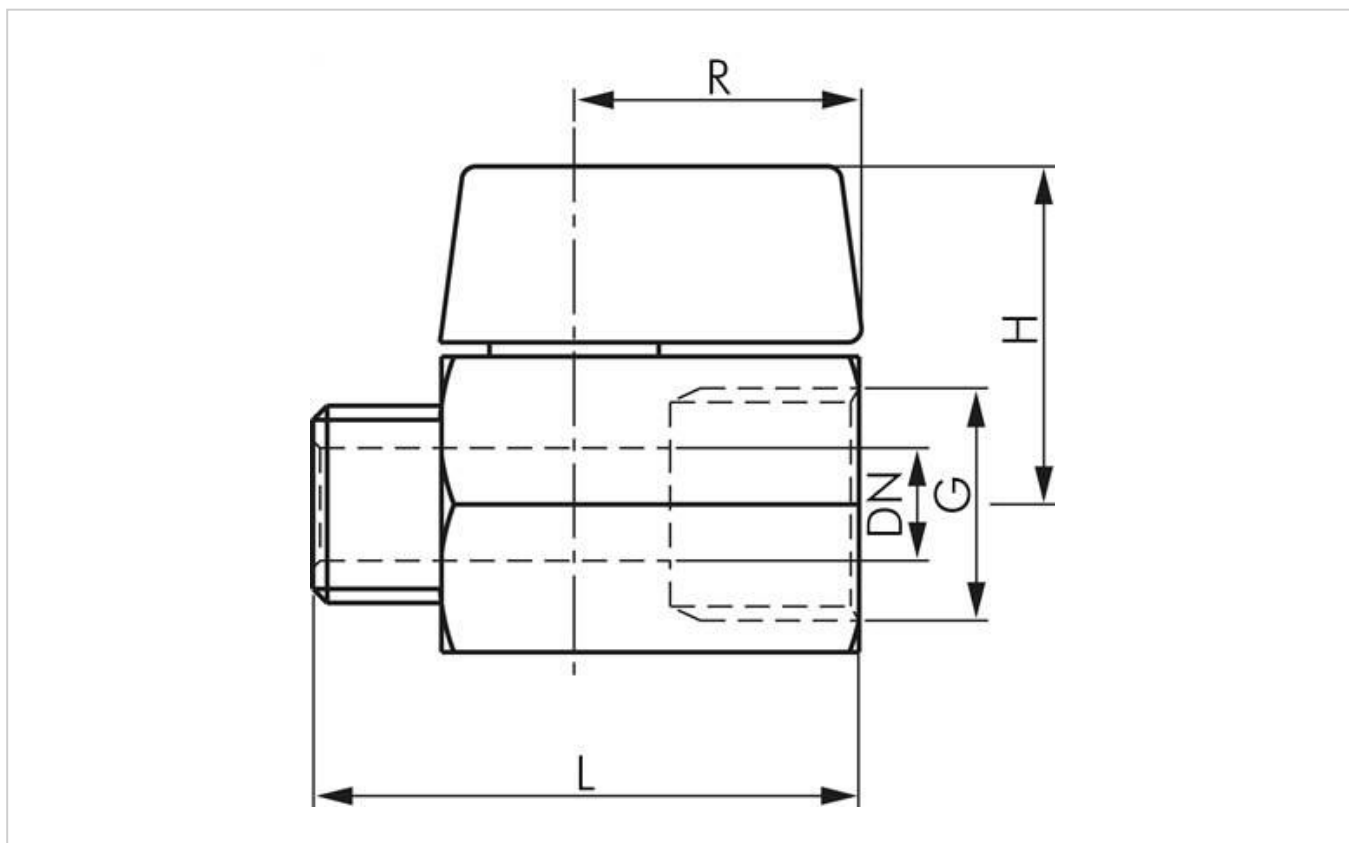
## Properties

<b>Version</b>	Female thread /male thread
<b>Thread G</b>	G 1/4"
<b>Thread G</b>	G 1/4" (male thread)
<b>DN [mm]</b>	7
<b>L [mm]</b>	39
<b>PN [bar]</b>	0 to 63
<b>H [mm]</b>	27
<b>R [mm]</b>	22

## Further information:

Weight	90 g / pcs
GTIN	4050571410421
Customs duty number	84818081
RoHS compliant	Yes

## Drawing:



Drawing: Female / male thread