

FULL FLOW BALL VALVES

VS1501 ball valve, full flow

Suitable for domestic water services, heating and air-conditioning plants, compressed air systems.



SIZE	PRESSURE	CODE
1/4" (DN 8)	50bar/725psi	VS1501-1/4
3/8" (DN 10)	50bar/725psi	VS1501-3/8
1/2" (DN 15)	50bar/725psi	VS1501-1/2
3/4" (DN 20)	40bar/580psi	VS1501-3/4
1" (DN 25)	40bar/580psi	VS1501-1
1"1/4 (DN 32)	30bar/435psi	VS1501-5/4
1"1/2 (DN 40)	30bar/435psi	VS1501-6/4
2" (DN 50)	25bar/362.5psi	VS1501-2

CERTIFICATIONS



TECHNICAL SPECIFICATIONS

Male/female threads.

Lever handle in steel.

Body in nickel-plated brass.

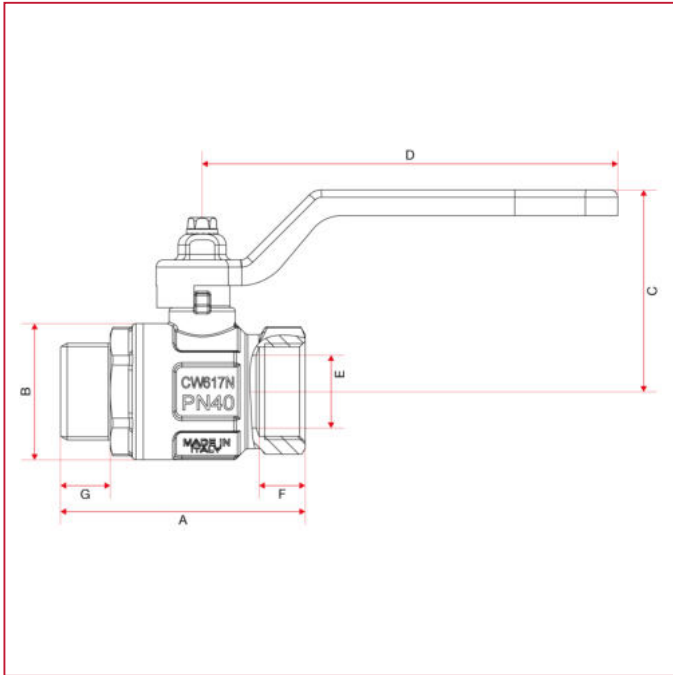
Minimum and maximum working temperatures: -20°C, 150°C in absence of steam.

Threads: ISO 228 (equivalent to DIN EN ISO 228 and BS EN ISO 228).

Mention "N" in the code only to order the black handle.

FULL FLOW BALL VALVES

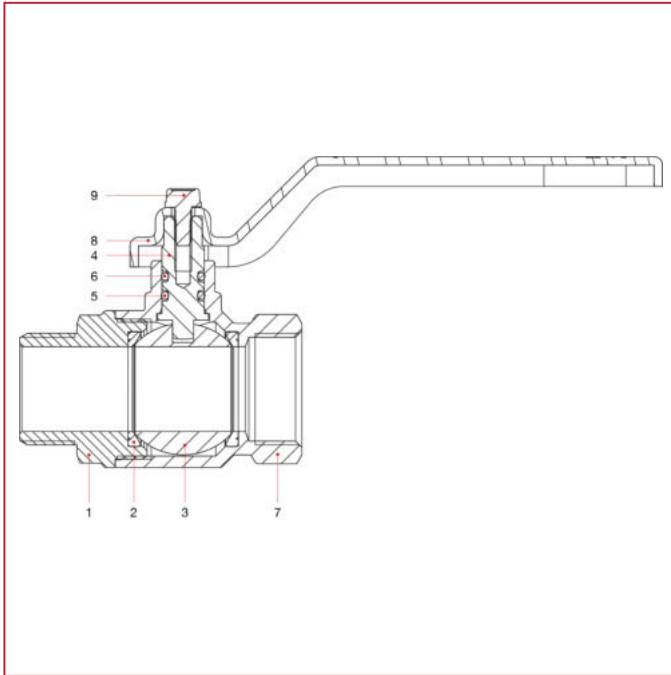
OVERALL DIMENSIONS



	1/4"	3/8"	1/2"	3/4"	1"	1"1/4	1"1/2	2"
DN	8	10	15	20	25	32	40	50
A	54	54	58,5	66,5	78,5	91,5	105,5	122
B	23,5	24	30,5	37	45,5	57	70	84
C	37	37	41	55	59	75	81	96
D	80	80	80	113	113	138	138	157,8
E	8	10	15	20	25	32	39	50
F	10	10	12	12,5	15	17	18,5	22
G	10,5	10,5	11,5	13,5	14,5	17	19	21
Kg/cm ² bar	50	50	50	40	40	30	30	25
LBS - psi	725	725	725	580	580	435	435	362,5

FULL FLOW BALL VALVES

MATERIALS



POS.	DESCRIPTION	N.	MATERIAL
1	Male end adapter	1	Nickel-plated brass CW617N
2	Seat	2	P.T.F.E.
3	Ball	1	Chrome-plated brass CW617N
4	Stem	1	Brass CW614N
5	O-ring	1	NBR
6	O-ring	1	Viton®
7	Body	1	Nickel-plated brass CW617N
8	Lever handle	1	Varnished steel P04
9	Screw	1	Zinc-plated steel C4C