

FULL FLOW BALL VALVES

VS1500 ball valve, full flow

Suitable for domestic water services, heating and air-conditioning plants, compressed air systems.



SIZE	PRESSURE	CODE
1/4" (DN 8)	50bar/725psi	VS1500-1/4
3/8" (DN 10)	50bar/725psi	VS1500-3/8
1/2" (DN 15)	50bar/725psi	VS1500-1/2
3/4" (DN 20)	40bar/580psi	VS1500-3/4
1" (DN 25)	40bar/580psi	VS1500-1
1"1/4 (DN 32)	30bar/435psi	VS1500-5/4
1"1/2 (DN 40)	30bar/435psi	VS1500-6/4
2" (DN 50)	25bar/362.5psi	VS1500-2

CERTIFICATIONS



TECHNICAL SPECIFICATIONS

Female/female threads.

Lever handle in steel (aluminium in the sizes 2"1/2, 3" and 4").

Body in nickel-plated brass.

Minimum and maximum working temperatures: -20°C, 150°C in absence of steam.

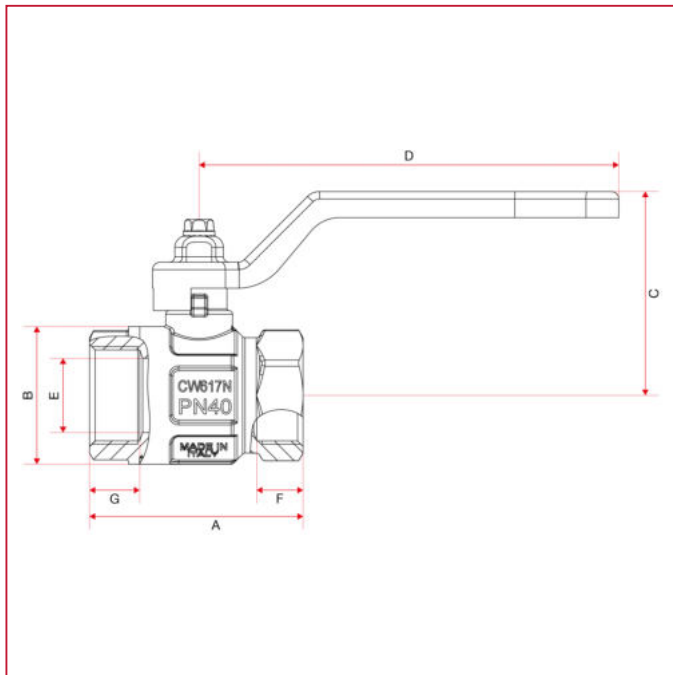
Threads: ISO 228 (equivalent to DIN EN ISO 228 and BS EN ISO 228).

Mention "N" in the code only to order the black handle.

Available also with NPT thread in the sizes 1/4" through 2".

FULL FLOW BALL VALVES

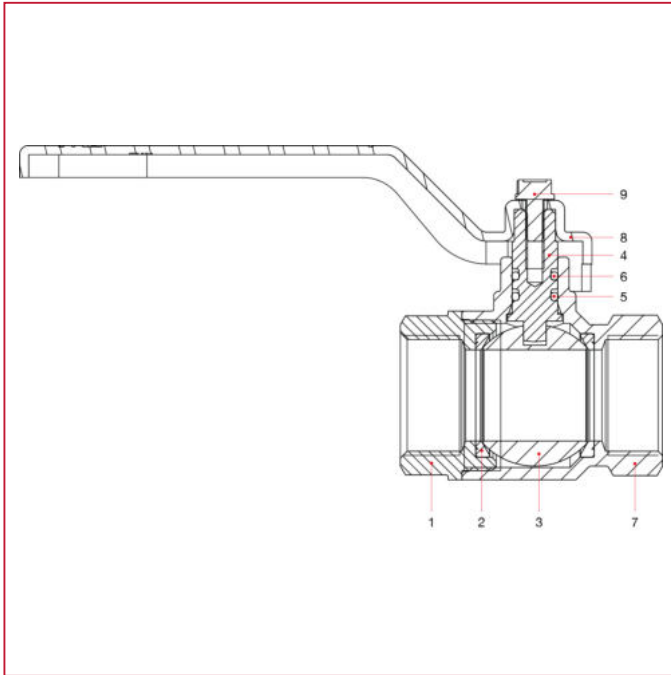
OVERALL DIMENSIONS



	1/4"	3/8"	1/2"	3/4"	1"	1"1/4	1"1/2	2"	2"1/2	3"	4"
DN	8	10	15	20	25	32	40	50	65	80	100
A	44,4	44,4	50,5	57,5	70	80,5	94,5	112,5	134,5	157	190
B	23,5	24	30,5	37	45,5	57	70	84	109	131	164
C	37	37	41	55	59	75	81	96	115	133	149
D	80	80	80	113	113	138	138	157,8	197	250	250
E	10	10	15	20	25	32	40	50	65	80	100
F	10	10	12	12,5	15	17	18,5	22	24	26	30
G	10	10	12,5	13,5	15	16,5	17,5	20,5	24	26	30
Kg/cm ² bar	50	50	50	40	40	30	30	25	18	16	14
LBS - psi	725	725	725	580	580	435	435	362,5	261	232	203

FULL FLOW BALL VALVES

MATERIALS sizes 1/4" through 2"



POS.	DESCRIPTION	N.	MATERIAL
1	Female end adapter	1	Nickel-plated brass CW617N
2	Seat	2	P.T.F.E.
3	Ball	1	Chrome-plated brass CW617N
4	Stem	1	Brass CW614N
5	O-ring	1	NBR
6	O-ring	1	Viton®
7	Body	1	Nickel-plated brass CW617N
8	Lever handle	1	Varnished steel P04
9	Screw	1	Zinc-plated steel C4C