

Verschraubungen aus Edelstahl

Stainless steel fittings

Raccorderia Filettata Standard in Acciaio

Technische Daten

Betriebstemperatur	-20 °C bis +150 °C
Betriebsdruck	bis 150 bar
Werkstoffe	Verschraubungen aus Edelstahl 1.4404 (AISI 316L) Dichtungen aus FKM
Gewinde	DIN 3852 DIN 3858
Einsatzbereich	Pneumatik, Nahrungsmittelindustrie, chem. u. pharm. Industrie

Technical Data

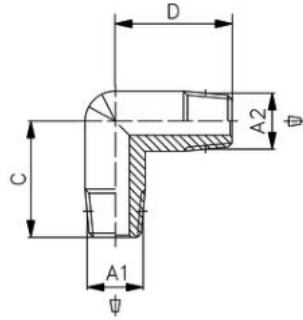
Operating temperature	-20 °C to +150 °C
Operating pressure	Up to 150 bar
Materials	Fittings made of stainless steel 1.4404 (AISI 316L) Seals made of FKM
Thread	DIN 3852 DIN 3858
Application	Pneumatics, food industry, chemical and pharmaceutical industry

Dati tecnici

Temperatura di esercizio	Da -20 °C a +150 °C
Pressione di esercizio	Fino a 150 bar
Materiali	Raccordi in AISI 316L Guarnizioni in FKM
Filetto	DIN 3852 DIN 3858
Campi di applicazione:	Pneumatica, Industria Alimentare, Chimica e Medicale-Farmaceutica

STX500

Winkelstück AG-AG, konisch
Male elbow, conical
Raccordo a gomito M.M.



Code	A1	A2	C	D
STX500-1/8	R1/8	R1/8	17	17
STX500-1/4	R1/4	R1/4	21	21
STX500-3/8	R3/8	R3/8	24	24
STX500-1/2	R1/2	R1/2	30,5	30,5