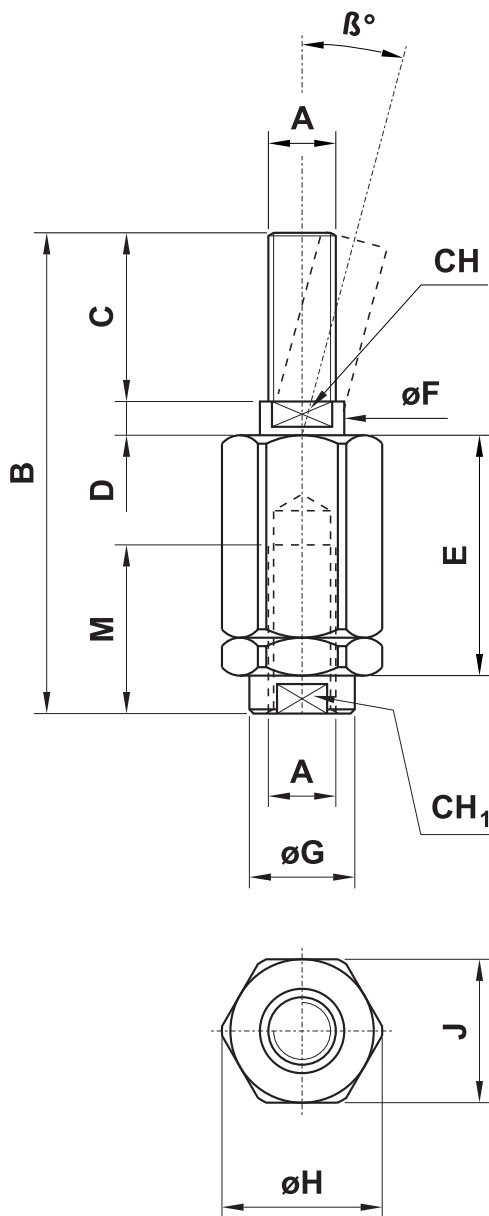


## SNODI AUTOALLINEANTI

self-aligning joints



sigla part number	per alesaggi for bores	A	B	C	D	E	F	G	H	J	M	CH	$\beta^\circ$	CH <sub>1</sub>
<b>SN12D16</b>	12-16	M6x1	35	10	3.5	17.5	6	8.5	14.5	13	10	5	10	7
<b>SND20</b>	20	M8x1.25	57	20	4	28.5	8	12.5	19	17	20	7	10	11
<b>SN25D32</b>	25-32	M10x1.25	71	20	5	35	14	22	32	30	20	12	10	19
<b>SND40</b>	40	M12x1.25	75	24	5	35	14	22	32	30	20	12	10	19
<b>SN50D63</b>	50-63	M16x1.5	103	32	8	54	22	32	45	41	32	20	10	30
<b>SN80D100</b>	80-100	M20x1.5	119	40	8	54	22	32	45	41	40	20	10	30
<b>SND125</b>	125	M27x2	147	54	10	60	32	57	70	65	48	24	8	54