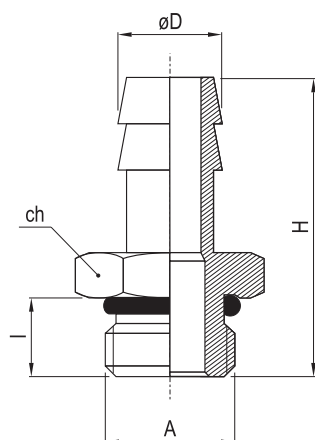


raccordi filettati standard

standard threaded fittings

RC340

Portagomma maschio cilindrico con O-Ring
Male hose adapter with O-Ring



$\varnothing D$	A	I	H	ch	confez. package	codice code
7	G1/8"	6.5	30	14	50	36.393.0
7	G1/4"	8	32	17	50	36.394.0
8	G1/8"	6.5	30	14	50	36.395.0
9	G1/8"	6.5	30	14	50	36.396.0
9	G1/4"	8	32	17	50	36.397.0
9	G3/8"	9	33	20	50	36.398.0
12	G1/4"	8	33	17	50	36.400.0
12	G3/8"	9	34	20	50	36.401.0
12	G1/2"	10	35.5	25	50	36.402.0
17	G3/8"	9	38	20	50	36.659.0
17	G1/2"	10	39.5	25	50	36.403.0