



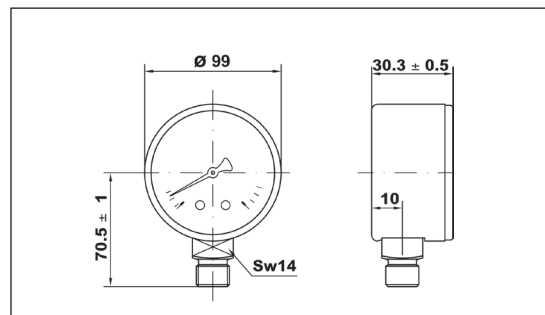
MFS-100

DN100 pressure gauges.

Part No	Pressure Range	Connection
MFS-100-1/0B	0-1 bar	1/2" FNPT
MFS-100-0/1B	0-1 bar	1/2" FNPT
MFS-100-0/2.5B	0-2.5 bar	1/2" FNPT
MFS-100-0/4B	0-4 bar	1/2" FNPT
MFS-100-0/6B	0-6 bar	1/2" FNPT
MFS-100-0/10B	0-10 bar	1/2" FNPT
MFS-100-0/12B	0-12 bar	1/2" FNPT
MFS-100-0/16B	0-16 bar	1/2" FNPT
MFS-100-0/25B	0-25 bar	1/2" FNPT
MFS-100-0/40B	0-40 bar	1/2" FNPT
MFS-100-0/60B	0-60 bar	1/2" FNPT
MFS-100-0/100B	0-100 bar	1/2" FNPT
MFS-100-0/160B	0-160 bar	1/2" FNPT
MFS-100-0/250B	0-250 bar	1/2" FNPT
MFS-100-0/315B	0-315 bar	1/2" FNPT
MFS-100-0/400B	0-400 bar	1/2" FNPT

Overall dimensions (mm)

MFS-100



Features

Materials		MFS-100 ... B
Case		Black steel, powder coated
Window		Clear plastic
Dial		White plastic
Pointer		Black plastic
Pressure connection		Cu-alloy, 14 mm flats
Pressure element		Bourdon tube Cu-alloy, soft soldered ≤ 60 bar C-type, > 60 bar helical type Sn-Ag soldered
Movement		Cu-alloy

Technical features	
Design	EN 837-1
Working pressure	Steady: 75% of full scale value Fluctuating: 60% of full scale value Short time: full scale value
Temperature limits	Ambient: -40 ... +60°C Medium: +60°C maximum Storage: -40 ... +60°C
Temperature effect	Deviation from reference temperature (+20°C): ±0,04%/1K of the span
Accuracy class	cl. 2.5, cl. 1.6 on request
Degree of protection	IP 31 per EN 60 529/IEC 529
Individual weight:	
MFS-100	0.255 kg