

# Data sheet

---

## Magnetic coil 24 V=, design R, plug size 3

**Item number:**

MAG R 24V=



Example illustration

## Item description

**Power-on time:**

100% ED

**Scope of delivery:**

Solenoid incl. plug

**Note:**

These magnetic coils are intended exclusively as replacement parts for solenoid valves sold by us with specifications of the magnet shape. We take no liability for use with other valves!

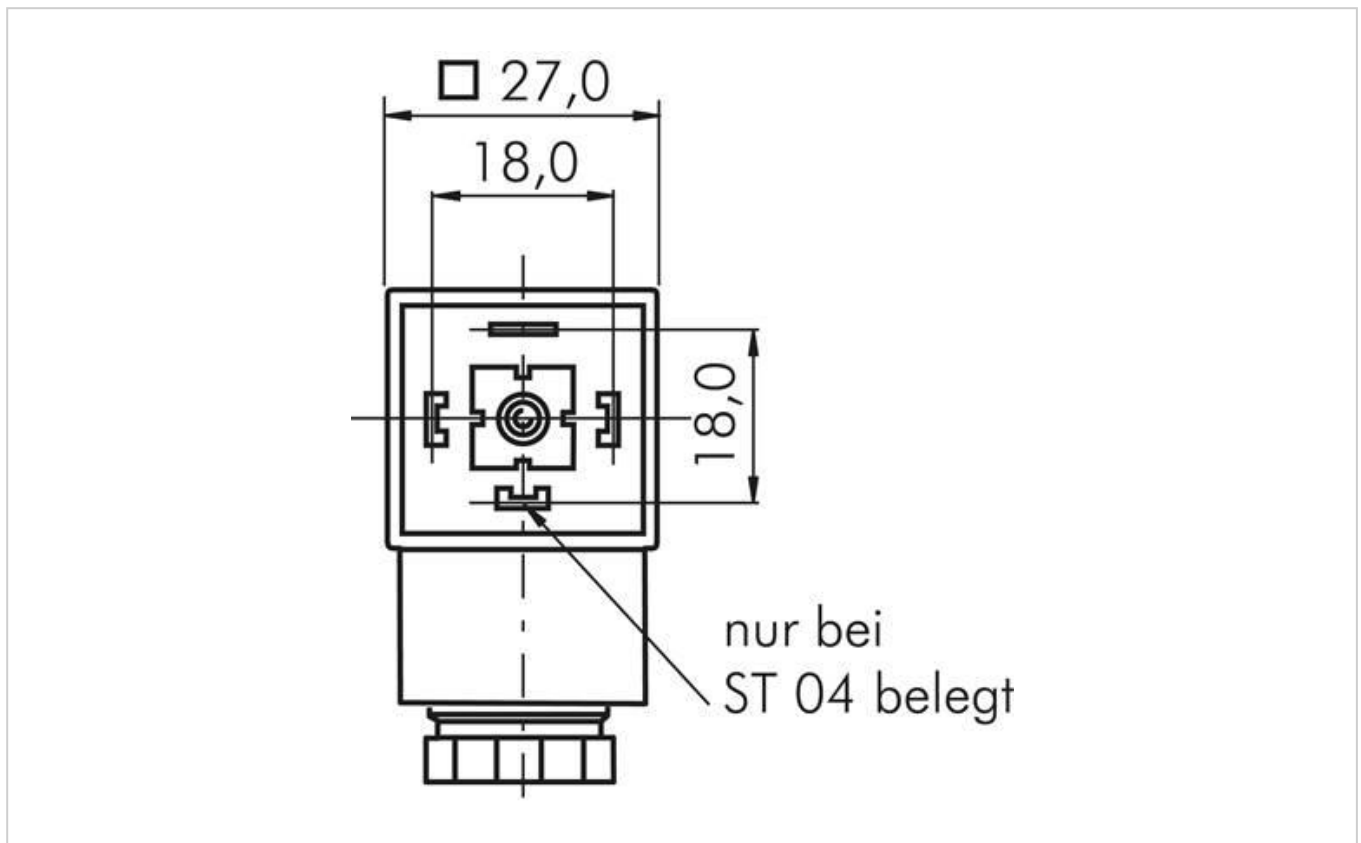
## Properties

<b>Design</b>	R
<b>Voltage</b>	24 V=
<b>Power output</b>	45 W
<b>Plug size</b>	3
<b>Outer dimensions [mm]</b>	73 x 55 x 80
<b>Distance anchor holes L [mm]</b>	52
<b>Anchor holes, lower D1 [mm]</b>	20,4
<b>Anchor holes, upper D2 [mm]</b>	20,4
<b>Countersink, lower D3 [mm]</b>	30,5
<b>Countersink, upper D4 [mm]</b>	30,0

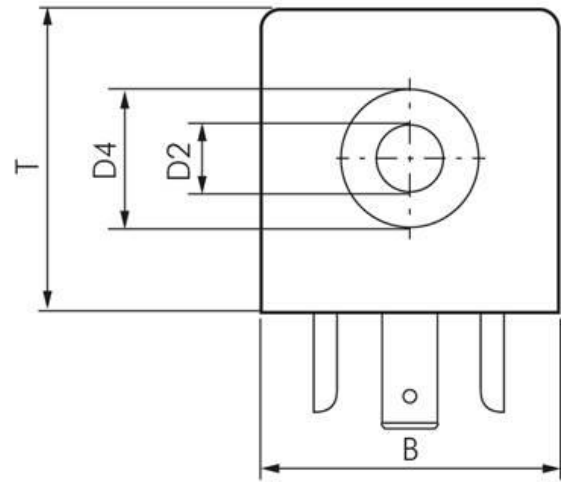
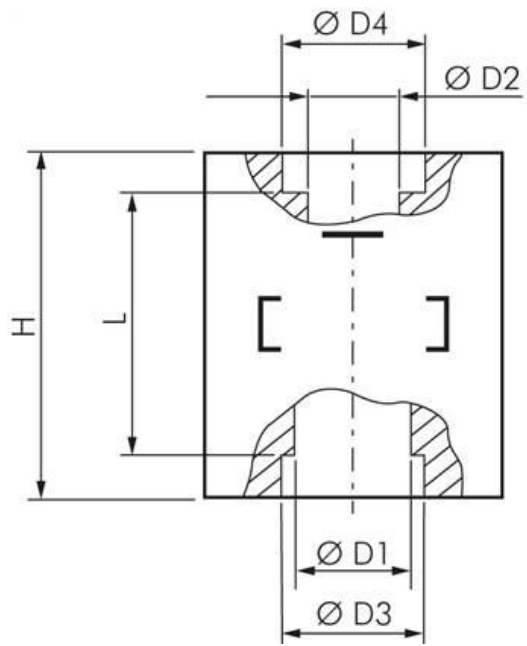
## Further information:

Weight	1,1 kg / Pcs
GTIN	4050571817367
Customs duty number	85059029
RoHS compliant	Yes
Manufacturer	EMC

## Drawing:



Drawing: Plug size 3 (DIN/EN-A)



Drawing