

# Data sheet

---

## Magnetic coil 24 V=, design Q, plug size 3

**Item number:**

MAG Q 24V=



Example illustration

## Item description

**Power-on time:**

100% ED

**Scope of delivery:**

Solenoid incl. plug

**Note:**

These magnetic coils are intended exclusively as replacement parts for solenoid valves sold by us with specifications of the magnet shape. We take no liability for use with other valves!

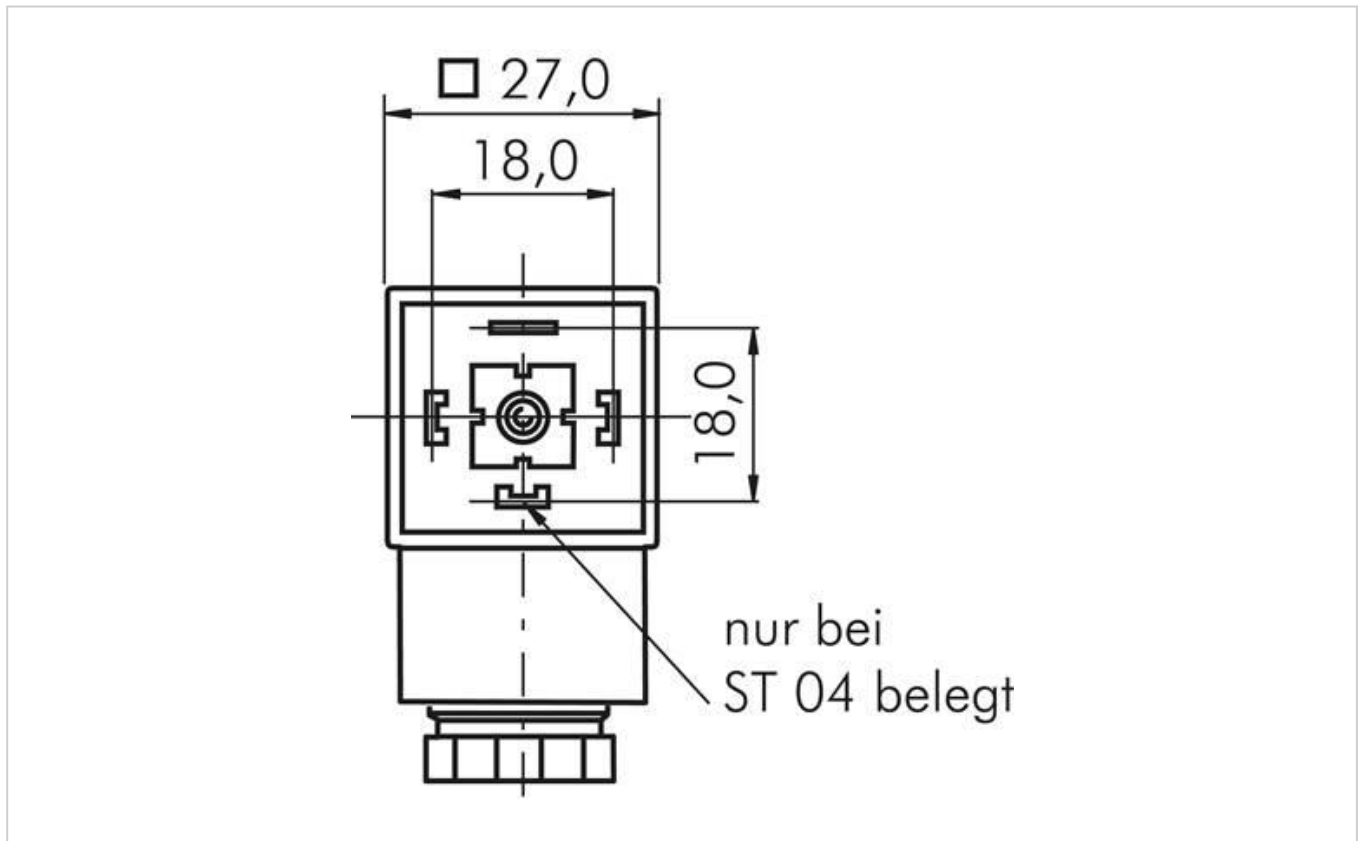
## Properties

<b>Design</b>	Q
<b>Voltage</b>	24 V=
<b>Power output</b>	20 W
<b>Plug size</b>	3
<b>Outer dimensions [mm]</b>	38 x 39 x 54
<b>Distance anchor holes L [mm]</b>	34
<b>Anchor holes, lower D1 [mm]</b>	16,3
<b>Anchor holes, upper D2 [mm]</b>	16,3
<b>Countersink, upper D4 [mm]</b>	20,1

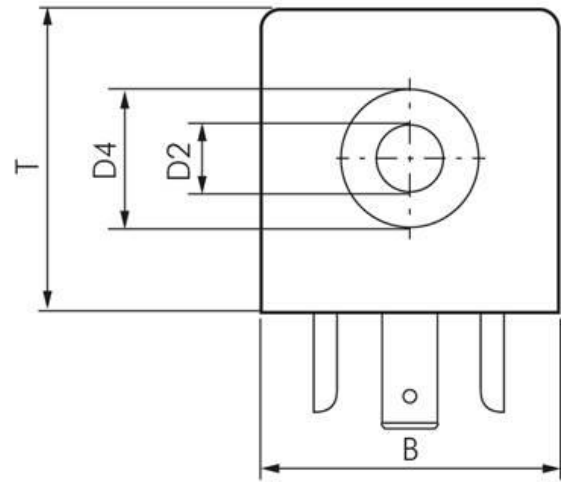
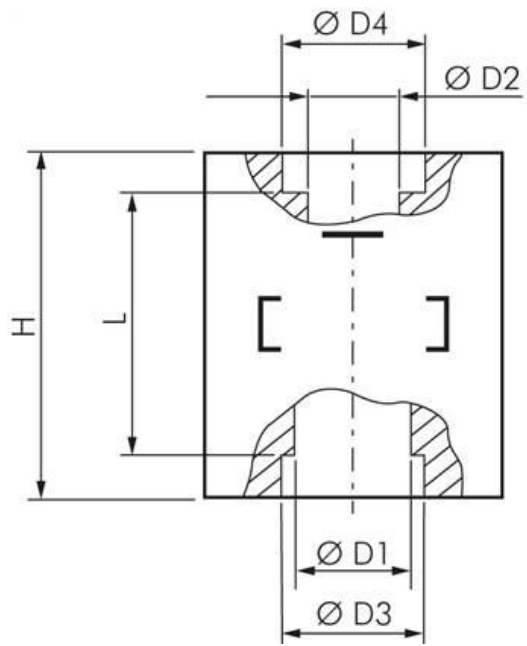
## Further information:

<b>Weight</b>	260 g / Pcs
<b>GTIN</b>	4050571817329
<b>Customs duty number</b>	85059029
<b>RoHS compliant</b>	Yes
<b>Manufacturer</b>	EMC

### Drawing:



Drawing: Plug size 3 (DIN/EN-A)



Drawing