

Data sheet

Magnetic coil 230 V AC, design Q, plug size 3

Item number:

MAG Q 230V



Example illustration

Item description

Power-on time:

100% ED

Scope of delivery:

Solenoid incl. plug

Note:

These magnetic coils are intended exclusively as replacement parts for solenoid valves sold by us with specifications of the magnet shape. We take no liability for use with other valves!

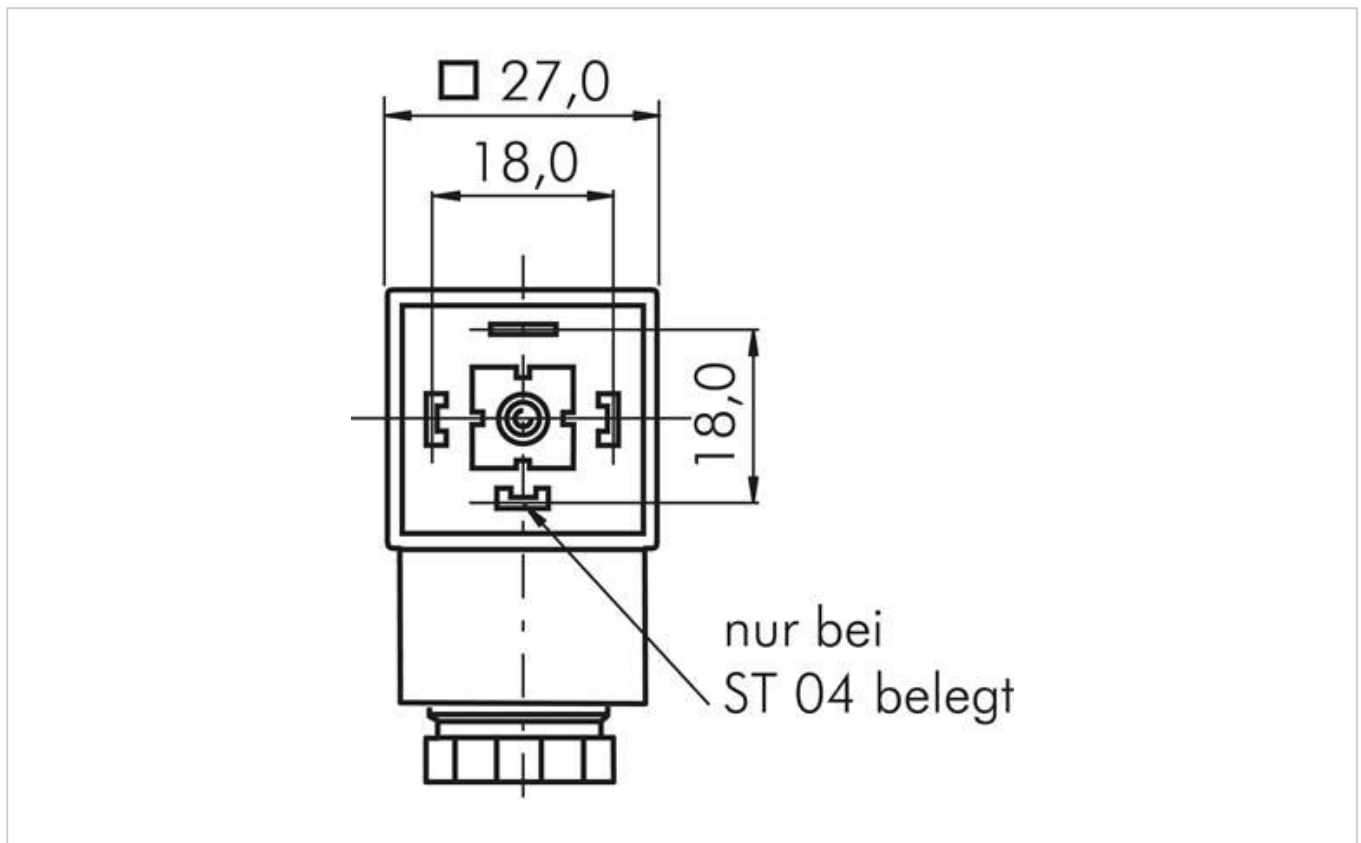
Properties

Design	Q
Voltage	230 V AC
Power output	24 VA
Plug size	3
Outer dimensions [mm]	38 x 39 x 54
Distance anchor holes L [mm]	37
Anchor holes, lower D1 [mm]	16,3
Anchor holes, upper D2 [mm]	16,3
Countersink, lower D3 [mm]	20,1
Countersink, upper D4 [mm]	20,1

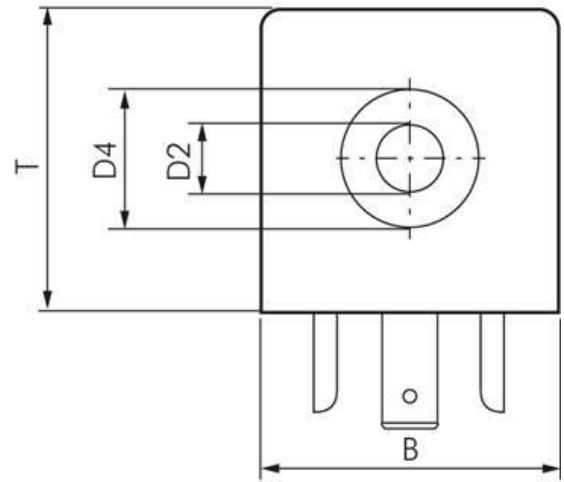
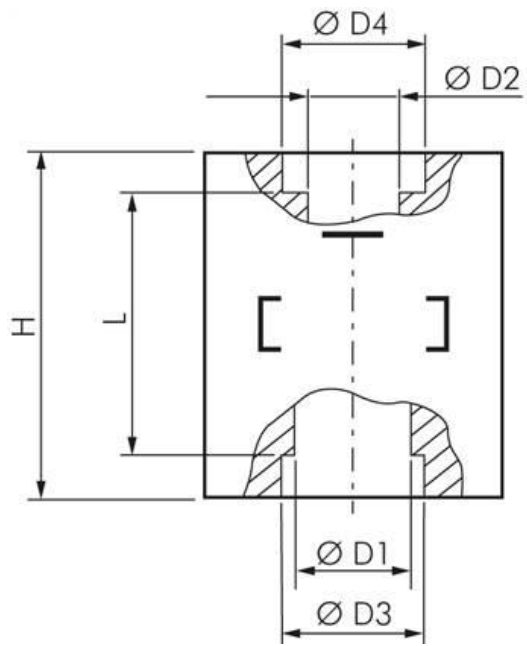
Further information:

Weight	220 g / Pcs
GTIN	4050571817312
Customs duty number	85059029
RoHS compliant	Yes
Manufacturer	EMC

Drawing:



Drawing: Plug size 3 (DIN/EN-A)



Drawing