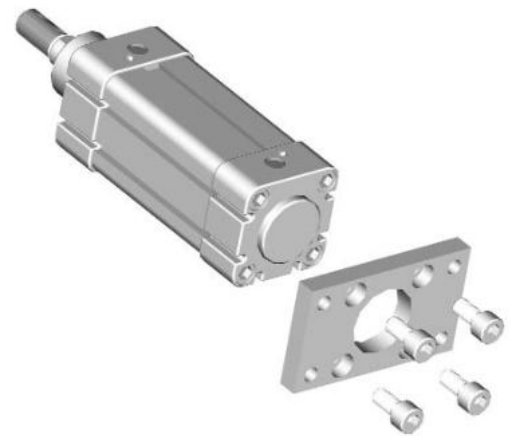
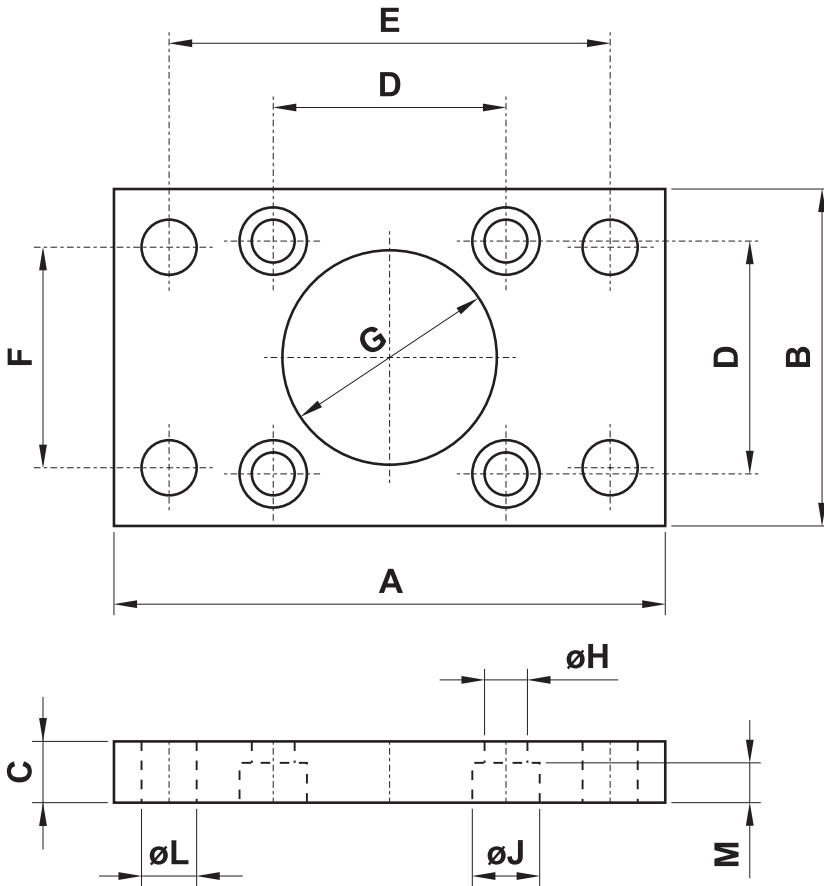




FLANGIA (flange)



6

sigla part number	per alesaggio for bore	A	B	C	D	E	F	G	H	J	L	M
FLIS032	32	80	45	10	32.5	64	32	$\phi 30$	6.6	10.5	7	6.5
FLIS040	40	90	52	10	38	72	36	$\phi 35$	6.6	11	9	6.5
FLIS050	50	110	65	12	46.5	90	45	$\phi 40$	9	15	9	8.5
FLIS063	63	120	75	12	56.5	100	50	$\phi 45$	9	15	9	8.5
FLIS080	80	150	95	16	72	126	63	$\phi 45$	11	18	12	10.5
FLIS100	100	170	115	16	89	150	75	$\phi 55$	11	18	14	10.5
FLIS125	125	205	140	20	110	180	90	$\phi 60$	13.5	20	16	12.5
FLIS160	160	260	180	20	140	230	115	$\phi 65$	18	26	18	16.5
FLIS200	200	300	220	25	175	270	135	$\phi 75$	18	26	22	16.5