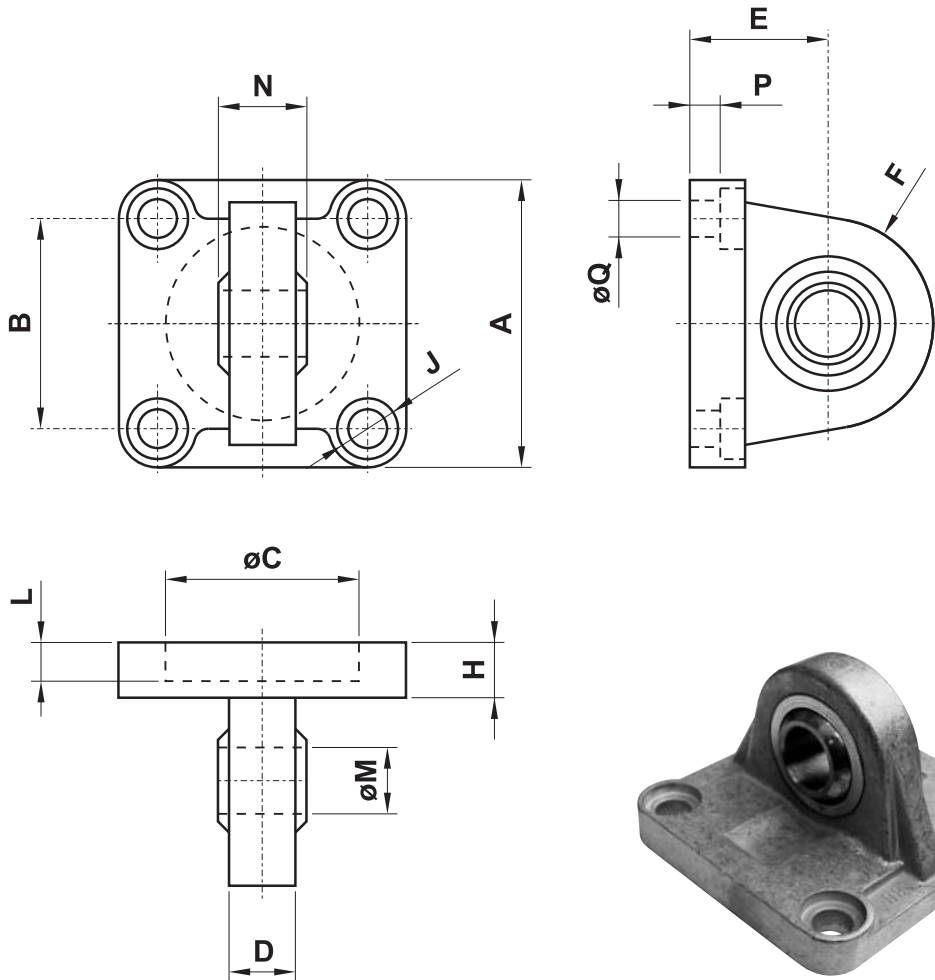




CERNIERA MASCHIO STRETTA CON TESTINA SNODATA DIN 648 K (narrow male hinge with articulated head DIN 648 K)



6

sigla part number	per alesaggio for bore	A	B	C	D	E	F	H	J	L	M	N	P	Q
CMSS032	32	45	32.5	30	10.5	22	16	9	Ø11	5	10	14	5.5	6.6
CMSS040	40	52	38	35	12	25	19	9	Ø11	5	12	16	5.5	6.6
CMSS050	50	65	46.5	40	15	27	21	11	Ø15	5	16	21	6.5	9
CMSS063	63	75	56.5	45	15	32	24	11	Ø15	5	16	21	6.5	9
CMSS080	80	95	72	45	18	36	28.5	14	Ø18	5	20	25	10	11
CMSS100	100	115	89	55	18	41	30	14	Ø18	5	20	25	10	11
CMSS125	125	140	110	60	25	50	40	20	Ø20	7	30	37	10	13.5
CMSS160	160	180	140	65	28	55	45	20	Ø26	7	35	43	10	18
CMSS200	200	220	175	75	28	60	48	25	Ø26	7	35	43	11	18