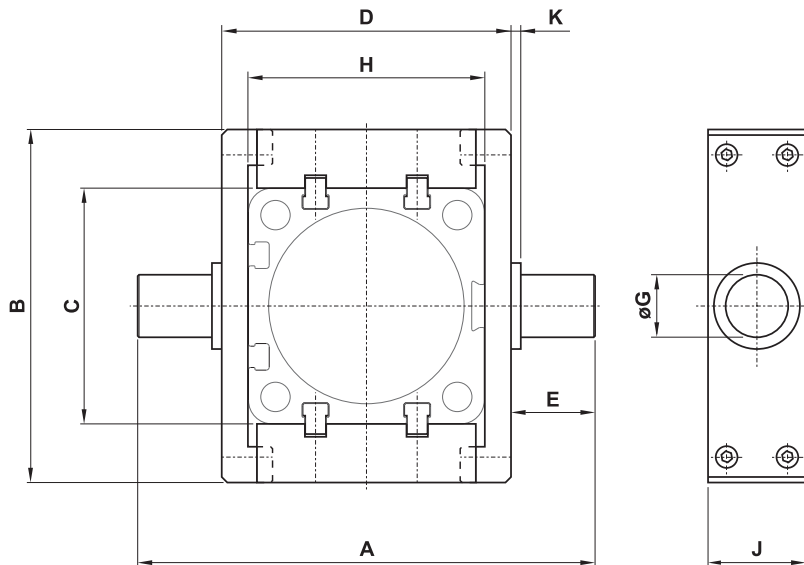
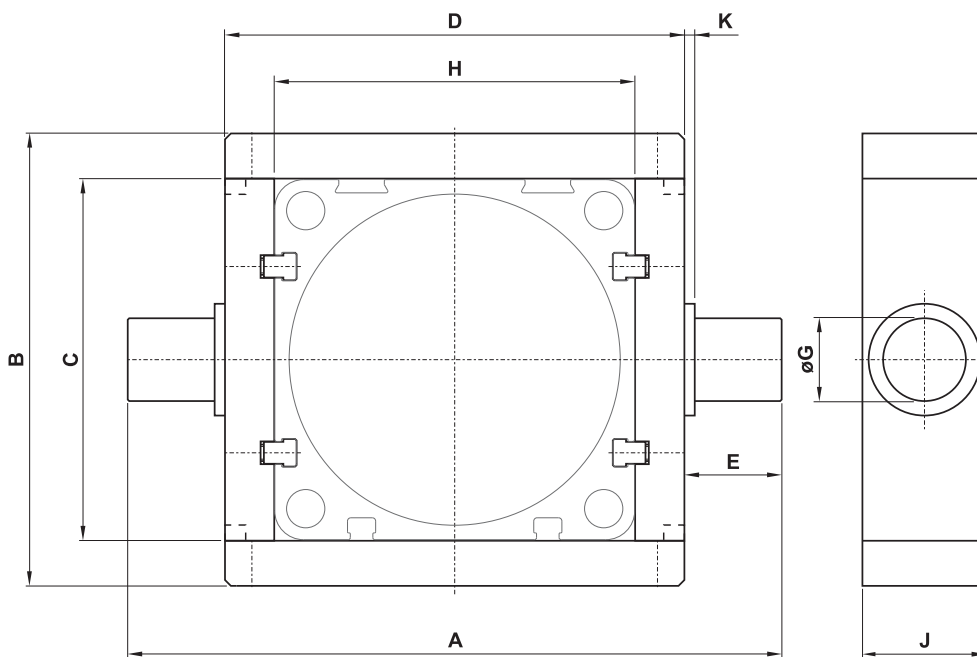


CERNIERA INTERMEDIA PER ESTRUSO - SOLO PER SERIE "N" (intermediate trunnion - ONLY FOR SERIES "N")



alesaggi: 32, 40, 50

bores: 32, 40, 50



alesaggi: 63, 80, 100, 125

bores: 63, 80, 100, 125

sigla part number	per alesaggio for bore	A	B	C	D	E	G	H	J	K
CIN032	32	87	65	44.5	52	17.5	12	45	25	2
CIN040	40	105	74.8	50.5	62	21.5	16	51	25	2.5
CIN050	50	117	90.3	60.3	74	21.5	16	60.8	25	2.5
CIN063	63	136	94.5	70.5	91	22.5	20	70	30	2.5
CIN080	80	156	109.3	87.5	111	22.5	20	87	30	2.5
CIN100	100	195	134	106.6	129	33	25	106	40	2.5
CIN125	125	223	160	132.6	157	33	25	132	40	2.5

