

Manual Angle Seat Valve G 1/2" to 2" – Bronze (CG) & Stainless Steel (PG)

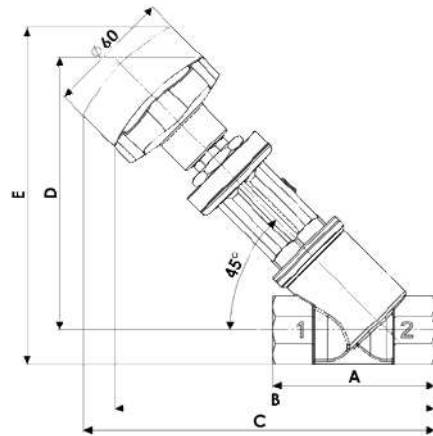
Specifications	
Function Flow over / under seat ¹	Type CG / PG
Media	Water, oil, air, aggressive media, steam ¹
Media Temperature	-10 to +180 °C
Ambient Temperature	-10 to +60 °C
Body Material (CG)	Bronze (CB491K EN1982)
Bonnet Material (CG)	Brass (CW617N EN12165)
Body Material (PG)	Cast AISI 316L (CF3M), see page 7
Bonnet Material (PG)	Cast AISI 316L (CF3M), see page 7
Seal Material	PTFE

¹ Not suitable for use with vacuum

Options Available
NPT connection (e.g. code PN2070TY00)



Dimensions & Weights		DN15	DN20	DN25	DN32	DN40	DN50
G connection	[ISO 228G]	1/2"	3/4"	1"	1 1/4"	1 1/2"	2"
A	[mm]	65	75	90	110	120	150
B	[mm]	142	148	163	175	180	198
C	[mm]	150	155	172	188	193	212
D	[mm]	121	126	135	143	148	157
E	[mm]	141	150	165	181	189	205
Weight	[kg]	0.75	0.80	1.20	1.80	2.10	3.10



Valve	Body Connection	DN	Flow Rate Kvs	Working Pressure ¹		Flow Direction
				Min.	Max.	
Code	[ISO 228G]	[mm]	[l/min]	[barg]	[barg]	—
CG2050TW00	1/2"	15	87	0	25	1 ↔ 2
CG2060TX00	3/4"	20	164	0	25	1 ↔ 2
CG2070TY00	1"	25	260	0	25	1 ↔ 2
CG2080TZ00	1 1/4"	32	410	0	25	1 ↔ 2
CG2090TK00	1 1/2"	40	700	0	25	1 ↔ 2
CG2100TJ00	2"	50	916	0	16	1 ↔ 2
PG2050TW00	1/2"	15	87	0	40	1 ↔ 2
PG2060TX00	3/4"	20	164	0	40	1 ↔ 2
PG2070TY00	1"	25	260	0	40	1 ↔ 2
PG2080TZ00	1 1/4"	32	410	0	25	1 ↔ 2
PG2090TK00	1 1/2"	40	700	0	25	1 ↔ 2
PG2100TJ00	2"	50	916	0	16	1 ↔ 2

Note

1. Steam max. working pressure 10 bar (9 barg)