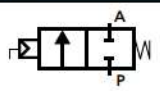
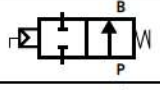
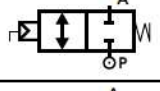
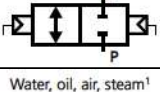


2/2 Way Piston Actuated Valve G 1/2" to 1" to Compact Version – Bronze

Specifications	
Type: CG NC flow over seat 1 → 2	
Type: RCG NO flow under seat 2 → 1	
Type: BCG NC Bi-directional flow over/under seat 1 → 2 / 2 → 1	
Type: DCG DA flow over/under seat 1 ↔ 2	
Media	Water, oil, air, steam ¹
Media Temperature	-10 to +180 °C
Ambient Temperature	-10 to +60 °C
Pilot Media ²	Instrument air, inert gases
Actuator Body Material	Polyamide PA6 (reinforced fibreglass 30%)
Body Material	Bronze (CB491K EN1982)
Bonnet Material	Brass (CW617N EN12165)
Seal Material	PTFE
Position Indicator	As standard

Features and Benefits

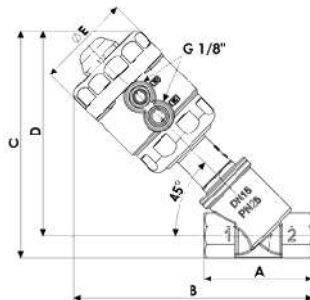
- Waterhammer-free design for BCG - DCG (with flow direction 2→1)
- Actuator housing rotation 360°
- Design suitable for vacuum applications up to 10⁻² mbar



Options Available
NPT Connection (e.g code C _N 205CTW00)

Accessories
Position module, travel switch kit, pilot solenoid valves see pages 34/35/36

Dimensions & Weights	DN15	DN20	DN25	
Actuator	Ø 45			
A	[mm]	65	75	90
B	[mm]	144	149	168
C	[mm]	136	142	161
D	[mm]	123	126	141
E	[mm]	57	57	57
Weight	[kg]	0.8	0.9	1.1



The products listed below comply with the requirements of the European Pressure Equipment Directive 2014/68/UE and carry the CE mark when required. The products fall within the following Pressure Equipment Directive categories:

Bodies	Group 1 gases	Group 1 liquids and Group 2 other fluids
DN15 to DN25 (PN25)	art. 4.3	art. 4.3

⚠ WARNING!
According to the European Pressure Equipment Directive 2014/68/UE liquids whose saturated vapour pressure at the maximum allowable temperature is more than 0,5 barg shall be considered as gases.

Valve	Body Connection	DN	Flow Rate Kvs	Working Pressure ¹ Min.	Working Pressure ¹ Max.	Flow Direction	Pilot Pressure ³ Min.	Pilot Pressure ³ Max.	Actuator Ø	Function
Code	[ISO 228G]	[mm]	[l/min]	[barg]	[barg]	—	[barg]	[barg]	[mm]	—
CG205CTW00	1/2"	15	75	0	16	1 → 2	3.8	10	45	NC
CG206CTX00	3/4"	20	133	0	16	1 → 2	5.8	10		
CG207CTY00	1"	25	208	0	16	1 → 2	6.5	10		
RCG205CTW00	1/2"	15	75	0	16	2 → 1	4	10	45	NO
RCG206CTX00	3/4"	20	133	0	16	2 → 1	6.2	10		
RCG207CTY00	1"	25	208	0	16	2 → 1	8.8	10		
BCG205CTW00	1/2"	15	75	0	16/16	1 → 2 / 2 → 1	6.2/5	10	45	NC bidirectional
BCG206CTX00	3/4"	20	133	0	16/7	1 → 2 / 2 → 1	8.7/5	10		
BCG207CTY00	1"	25	208	0	16/5	1 → 2 / 2 → 1	9.5/5	10		
DCG205CTW00	1/2"	15	75	0	16/16	1 ↔ 2	3	10	45	DA
DCG206CTX00	3/4"	20	133	0	16/16	1 ↔ 2	5	10		
DCG207CTY00	1"	25	208	0	16/16	1 ↔ 2	8.5	10		

Notes

1. Steam max. working pressure 10 bar (9 barg)
2. Please contact M&M sales Department for other pilot media
3. Minimum pilot pressure at the max. working pressure: for lower working pressures please refer to the comparative charts