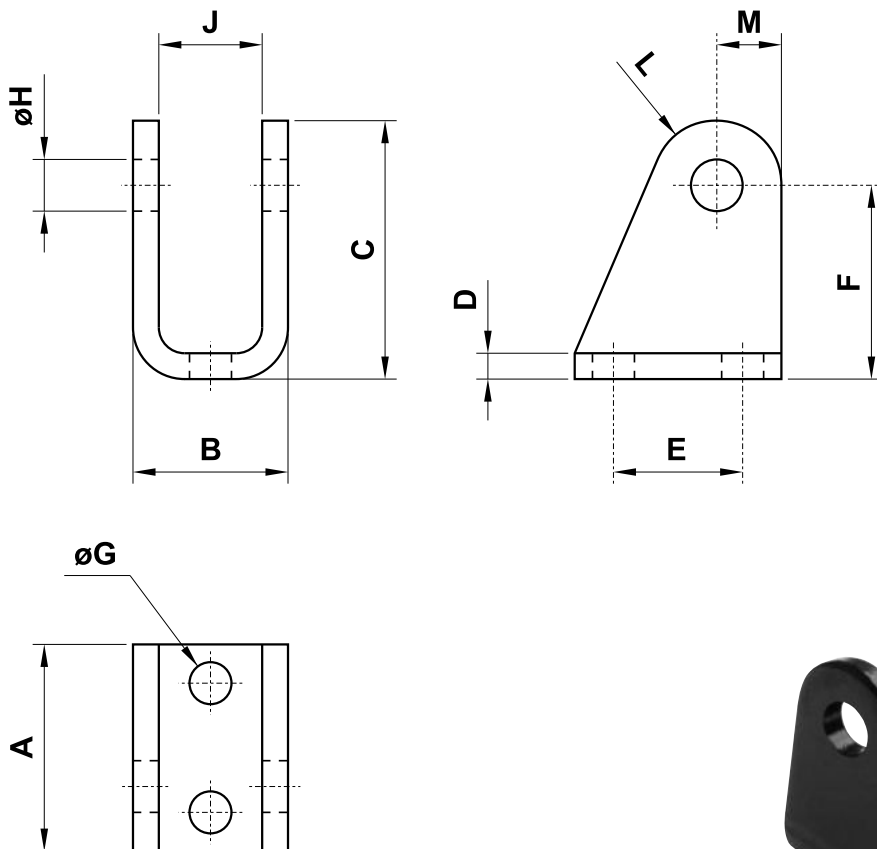


CONTROCERNIERA CON PERNO



6

sigla part number	per alesaggio for bore	A	B	C	D	E	F	G	H	J	L	M
CCMC08-10	8-10	20	13	29	2.5	12.5	24	4.5	4	8.1	5	5
CCMC12-16	12-16	25	18	34	3	15	27	5.5	6	12.1	7	7
CCMC20-25	20-25	32	24	40	4	20	30	6.6	8	16.1	10	10