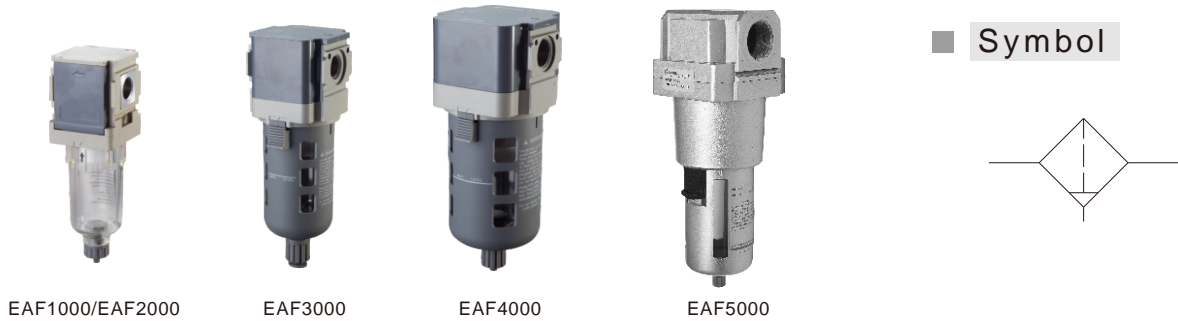


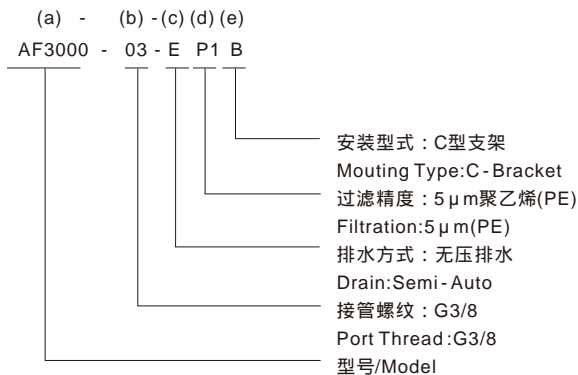
EAF Series Filter (F)



Specification

| 型号Model | EAF1000/EAF2000 | EAF3000 | EAF4000 | EAF5000 |
|---|--|-------------|---|---------|
| 高使用压力 / Operating Pressure MPa | 1.0 | | | |
| 许耐压力 / Max Pressure MPa | 1.5 | | | |
| 用温度 / Operating Temperature | 0~60 | | | |
| 滤精度 / Filtration μm | 5 或40/5 or 40 | | | |
| 水储存容量 / Waste Bowl Capacity cm^3 | 12 | 45 | 80 | 150 |
| 管螺纹 / Port Thread G | 1/8、1/4 | 1/4、3/8、1/2 | 3/8、1/2 (3/4配合变径接头使用 / 3/4 For reduced joint) | 3/4、1 |
| 注意事项 / Caution | 注：确认物体上没有承受压力之后，再装卸杯子、杯子护罩 Note: 1. Assemble and disassemble the plastic bowl and bowl guard when it is confirmed that there's no load in control system. | | | |

Product Code System



Filter

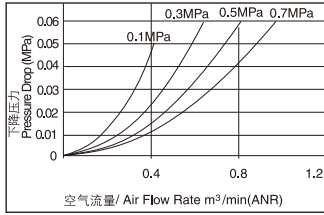
| (a) 型号 Model | (b) 接管螺纹 Port Thread | 最高使用压力 Operating Pressure (MPa) | 最大流量 / Max Air Flow $\text{M}^3/\text{min}(\text{ANR})$ | 过滤精度 Filtration (μm) |
|-----------------|-------------------------|------------------------------------|--|--------------------------------------|
| EAF1000-01 | G1/8 | 1.0 | 0.5 | 5或40/ 5or40 |
| EAF2000-02 | G1/4 | | 0.65 | |
| EAF3000-02 | G1/4 | | 1.1 | |
| EAF3000-03 | G3/8 | | 1.5 | |
| EAF3000-04 | G1/2 | | 1.8 | |
| EAF4000-03 | G3/8 | | 2.0 | |
| EAF4000-04 | G1/2 | | 2.7 | |
| EAF4000-06 | G3/4 | | 3.0 | |
| EAF5000-06 | G3/4 | | 7.0 | |
| EAF5000-10 | G1 | | 7.0 | |

Operating temperature range: 0~60
* At 0.7MPa set pressure, 0.02MPa pressure drop

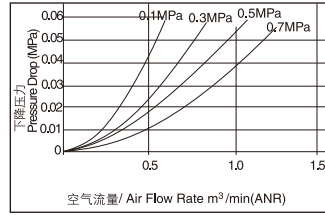
| (a) 型号 Model | (b) 接管螺纹 Port Thread | | (c) 排水方式 Drain | | (d) 过滤精度 Filtration | | (e) 安装型式 Mounting Type | |
|-----------------|-------------------------|------|-------------------|---------------------|------------------------|-----------------------------|---------------------------|-------------------------|
| EAF1000 | 01 | G1/8 | 空白 Blank | 手动排水 Manual | P1 | 5 μm 聚乙烯(PE) | 空白 Blank | 不带支架 Without Bracket |
| EAF2000 | 02 | G1/4 | | 无压排水 Semi - Auto | | | | |
| EAF3000 | 02 | G1/4 | 空白 Blank | 手动排水 Manual | P2 | 5 μm 烧结铜(CU) | | |
| | 03 | G3/8 | | | | | | |
| EAF4000 | 04 | G1/2 | E | 无压排水 Semi - Auto | P3 | 40 μm 聚乙烯(PE) | | |
| | 03 | G3/8 | | | | | | |
| | 04 | G1/2 | | | | | | |
| EAF5000 | 06 | G3/4 | A | 自动排水 Auto | P4 | 40 μm 烧结铜(CU) | B | C型支架 C - Bracket |
| | 10 | G1 | | | | | | |

Flow Diagrams

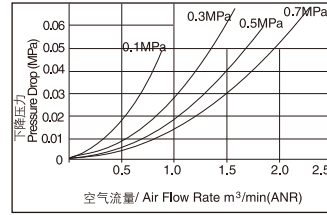
EA F1000-01



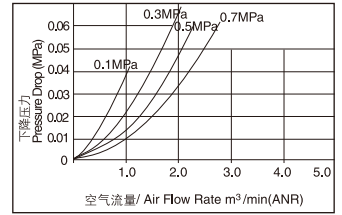
EA F2000-02



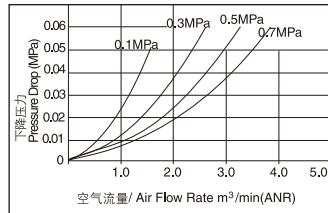
EA F3000-02



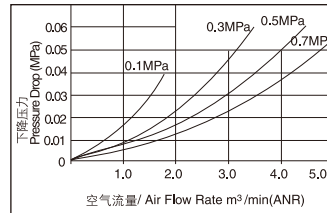
EA F3000-03



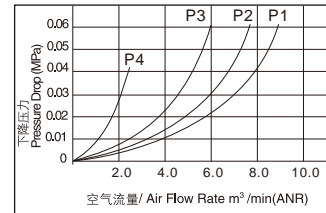
EA F4000-03



EA F4000-04



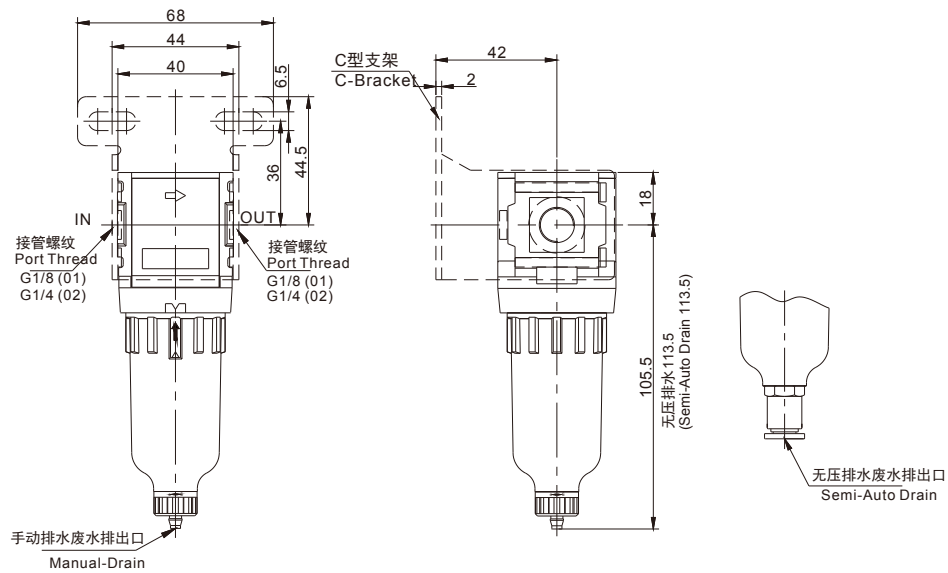
EA F5000-06/10



Dimensions

EA F1000

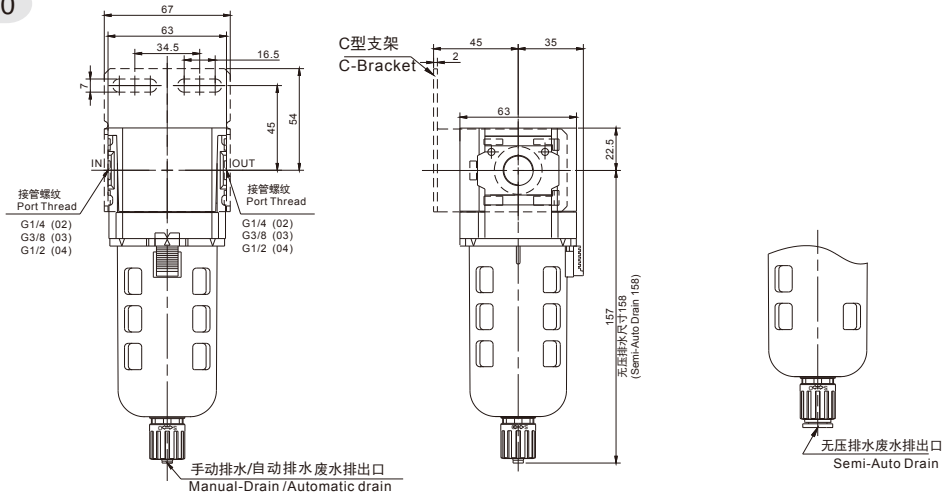
EA F2000



Note: Manual drain can insert ID 4 PU tube at drain outlet. Semi - Auto drain can insert OD 6 PU tube at drain outlet.

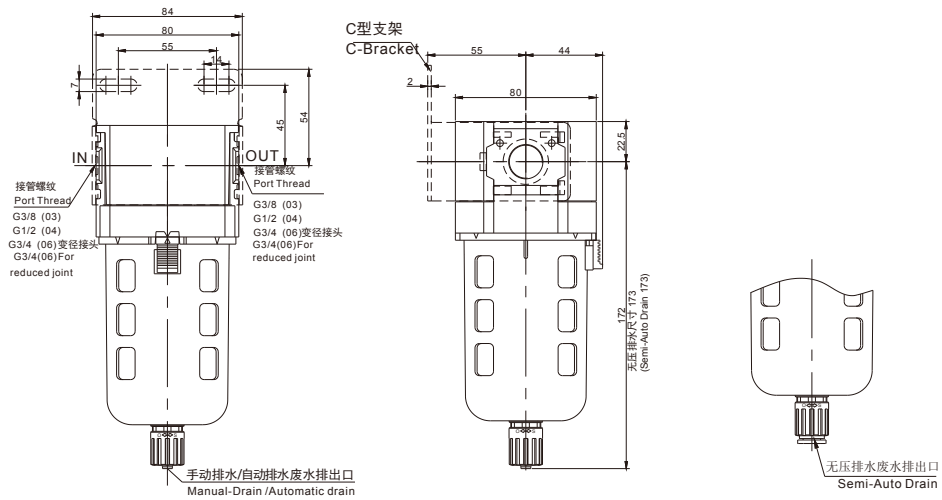
Dimensions

EAF3000



Note: Manual drain or automatic drain can insert ID 5.5 PU tube at drain outlet. Semi - Auto drain can insert OD 8PU tube at drain outlet.

EAF4000



Note: Manual drain or automatic drain can insert ID 5.5 PU tube at drain outlet. Semi - Auto drain can insert OD 8 PU tube at drain outlet.

EAF5000

