

4V4 系列二位五通电磁阀 4V4 Series 5/2 Way Solenoid Valve

外形与安装尺寸/ Dimensions

4V4

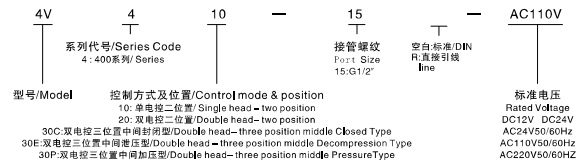


4V410系列
4V410 series



4V420系列
4V420 series

型号命名/ Product Code System



举例/ Example

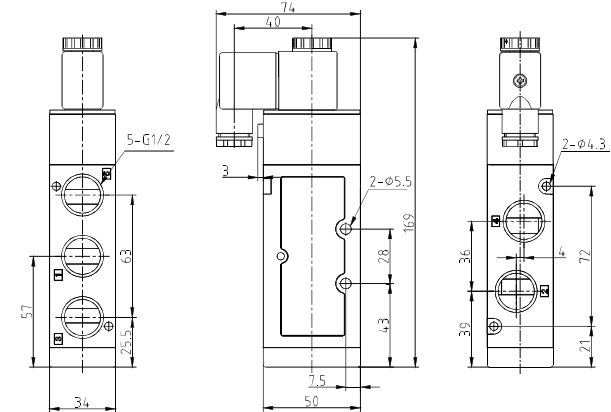
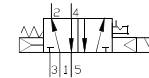
▲欲订购接管口径为G1/2", 标准电压为AC220V (50/60Hz)的双电控三位中间密封型4V4系列电磁阀, 其正确的订购代码为:
4V430C - 15 - D-AC220

▲For the order of twin head - three position closed type 4V4 series solenoid valve which port size is 1/2" and rated voltage is AC 220V (50/60Hz), the correct order code is:
4V430C - 15 - D-AC220

技术参数/ Specification

型号/Model	4V410-15	4V420-15
工作介质/ Fluids	经过滤的压缩空气 / The constrigent after filtered	
动作方式/ Operation	内部先导式/ Inside Pilot Type	
位置数 / Position	二位五通 5/2 Way	
有效截面积/ Efficient Sectional Area	50mm ² (CV=2.79)	
接管螺纹/ Port Thread	进气/ Supply=出气/ Export=排气/ Exhaust=G1/2"	
润滑/ Lubrication	不需要/Not Required	
使用压力/ Operating Pressure	0.15-0.8MPa	
最大耐压/ Max Pressure	1.2MPa	
工作温度 / Operating Temperature	-5-60°C	
电压范围 / Allowable Voltage	±15%+10%	
功率 / Power Consumption	AC:4.5VA DC:3W	
绝缘性 / Coil Insulation	F级/ Class F	
保护等级/ Protection Grade	IP65(DIN40050)	
接电型式/ Connection	端子式/ Terminal Type	
最高动作频率/ Max Frequency	每秒5次/ 5 Times Per Second	
最短响应时间/ Min Response Time	0.05 秒/ 0.05 Seconds	
寿命/Life	800万次/8 Million	

4V410-15



4V4

4V420-15

