

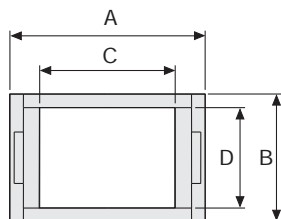
Serie Light

30090/91/92 Nylon Cable Chain

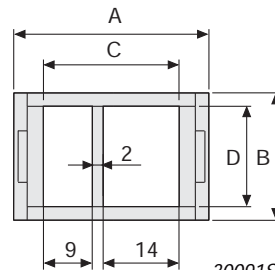
**END OF
PRODUCTION
REPLACED
WITH CHAIN 250**

Inner height (D) 18,5 mm

Single link construction with central large anti-friction pivot, for high torsion and tensile resistance. Non-opening. Used with guide channels, this chain is particularly suitable for long distance travel, as typical for example in larger textile plants.



30090-30091-30092



30091S

Technical characteristics when self-supported

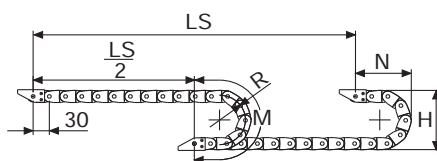
Speed	10 m/s
Acceleration	50 m/s ²

For higher requirements please consult our technical dept.

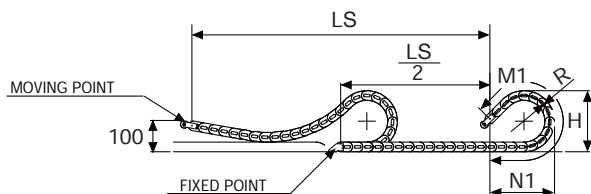
A	B	C	D	R	Weight/m	Chain
mm	mm	mm	mm	mm	kg	Part Number
29	23,5	18	18,5	033-038-048-070-100	0,32	30090 □□□ *
36	23,5	25	18,5	033-038-048-070-100	0,36	30091 □□□ *
36	23,5	25	18,5	033-038-048-070-100	0,36	30091 □□□ S*
49	23,5	38	18,5	033-038-048-070-100	0,39	30092 □□□ *

*Complete the code by inserting the value of the radius (R): Ex. 30090 □ □ □ □ □

For sliding applications, technical data can slightly change according to frequency, added weight and environment.



R	H	N	M	N1	M1
mm	mm	mm	mm	mm	mm
033	89,5	75	165	130	275
038	99,5	80	180	130	275
048	119,5	90	210	300	630
070	163,5	112	280	480	1025
100	223,5	145	375	655	1415



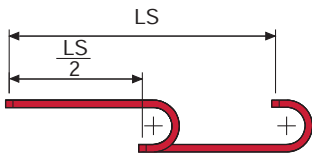
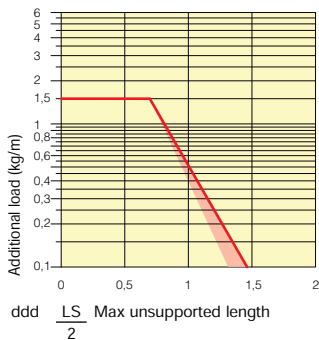
Length of chain (L)
Half travel distance ($\frac{LS}{2}$)
plus length of curve (M) or (M1)

$$L = \frac{LS}{2} + M \text{ or } M1$$



Self-Supporting Capacity Diagram

The maximum length of the self-supporting capacity ($\frac{LS}{2}$) in relationship to the weight of the cables and hoses contained per linear metre.



The red marking in the diagram area considers the difference of weight between various widths of chain.

For applications with $\frac{LS}{2}$ and weights not included in the area of the diagram showing self-supporting capacity, verify the possible use of support rollers (see page 30).

Bright Zinc Plated Steel End Brackets***

The end brackets set allows the two ends of the chain to be attached to the equipment.

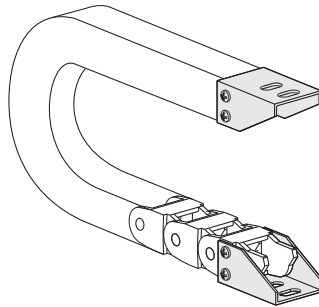
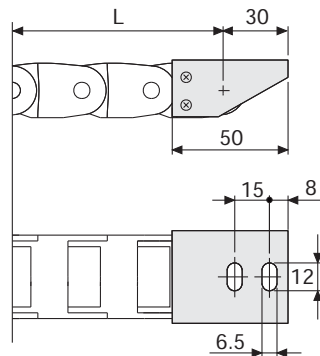


Fig. A
Chain fixed outside the radius. (Fig A)
See end brackets mounting variations page 31.



Bright Zinc Plated Steel Type Part Numbers

Complete Set Assembled	
Chain	End Brackets
Type	Set
30090	A30090KM □**
30091	A30091KM □**
30091S	A30091KM □**
30092	A30092KM □**

Complete Set Unassembled	
Chain	End Brackets
Type	Set
30090	A30090K □**
30091	A30091K □**
30091S	A30091K □**
30092	A30092K □**

** 1=Pos.1; 2=Pos.2; 3=Pos.3

*** Available on request in stainless steel

Serie Light

30090

30091

30092

Nylon Cable Chain

3



Suitable to long travel distance.
To choose the guide channel see page 54

For further information please consult Brevetti Stendalto's Technical Office