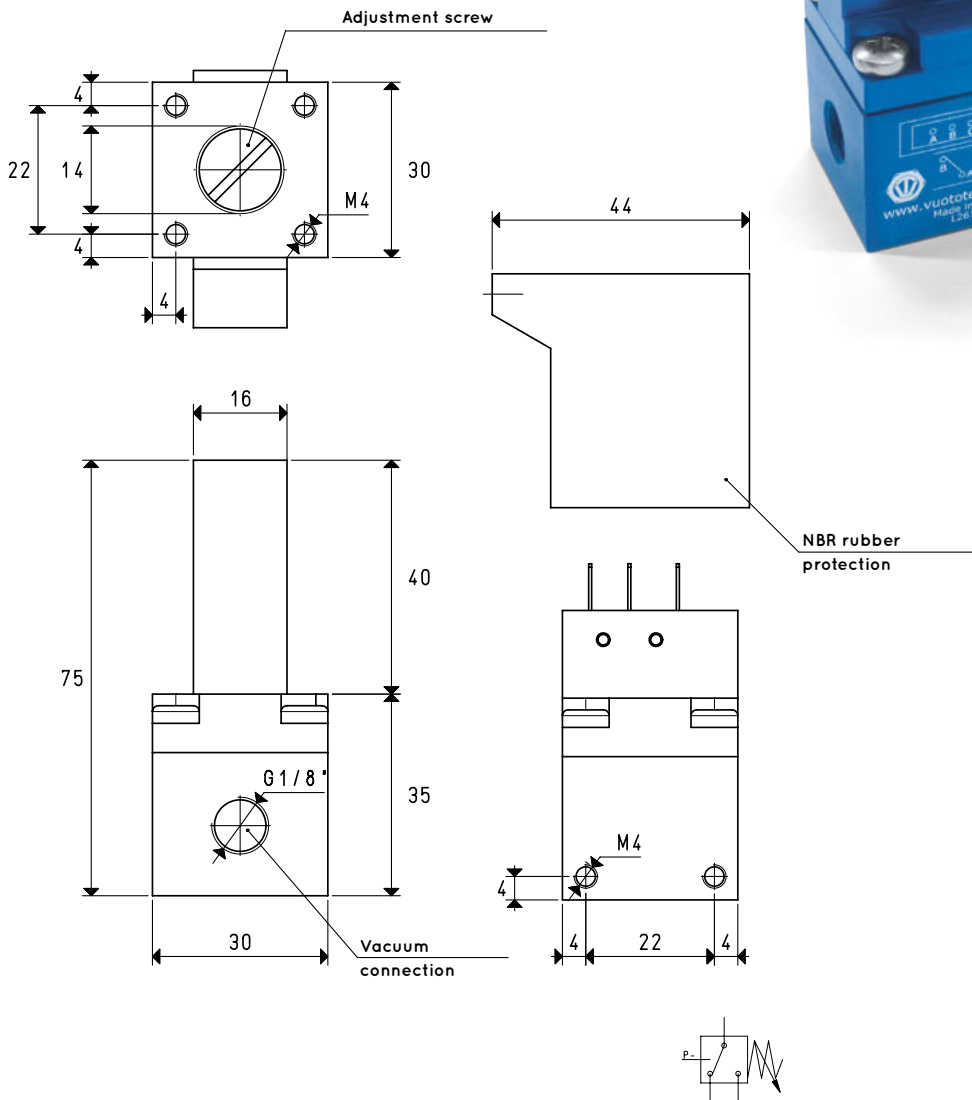




MINI ELECTROMECHANICAL VACUUM SWITCH

This extremely compact vacuum switch gives an electric signal when a certain adjustable level of vacuum is reached.
 The pressure differential existing between the set maximum value and the value of reset of the rest signal is 50- 60 mbar and it is not adjustable.
 They are particularly suited when an electrical signal is needed when a certain level of vacuum is reached, for safety, for starting a cycle, for checking the cup grip, etc.



3D drawings are available on vuototecnica.net

Item		12 02 10
Adjustment range	mbar abs.	930 - 10
Fixed differential	mbar abs.	from 50 to 60
Repeatability	mbar	±1.5
Maximum overpressure	bar	5
Microswitch	item	00 12 12
Contacts		one in commutation
Flow rate of contacts	A	0.1 at 30 VDC - 10.1 at 250 VAC
Electrical connections		Type 110 fast-on terminals
Operating temperature	°C	-25 - +80
Protection		IP 55
Weight	g	102

Transformation ratio: N (newton) = Kg x 9.81 (force of gravity)

$$\text{inch} = \frac{\text{mm}}{25.4} ; \text{pounds} = \frac{\text{g}}{453.6} = \frac{\text{Kg}}{0.4536}$$

Adapters for GAS - NPT threading available on page 1.130