



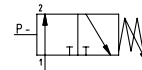
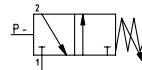
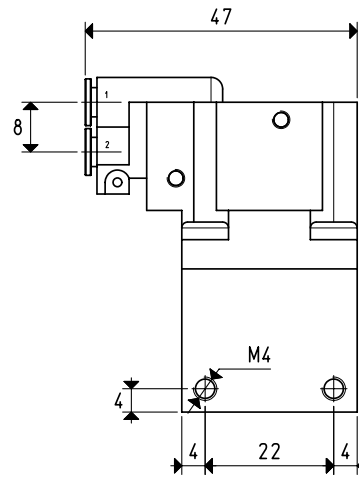
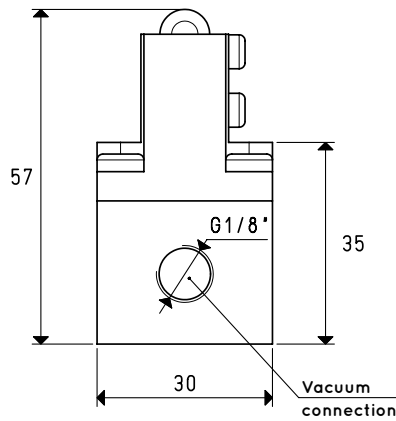
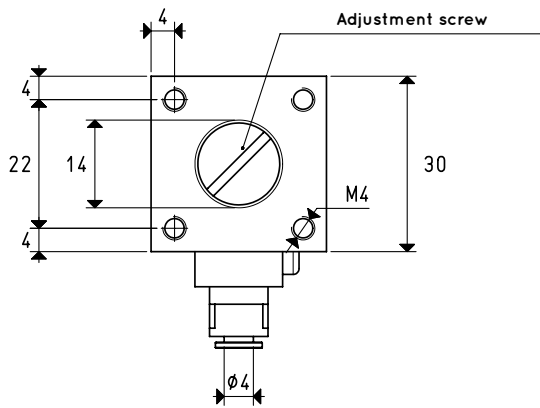
MINI PNEUMATIC VACUUM SWITCHES

These extremely compact vacuum switches give or remove a pneumatic signal, depending on the model, when a certain adjustable level of vacuum is reached.

The pressure differential existing between the set maximum value and that of the signal recovery at rest is not adjustable.

They are particularly suited for controlling vacuum generators and for activating pneumatic valves.

3D drawings are available on vuototecnica.net



Item		12 01 30	12 02 30
Adjustment range	mbar abs.	930 ÷ 50	900 ÷ 40
Fixed differential	mbar	50 ÷ 80	150 ÷ 180
Repeatability	mbar	± 5	± 5
Signal at rest		NC	NO
Supply pressure	bar	2 ÷ 8	2 ÷ 8
Pneumatic microvalve	item	00 12 17	00 12 18
Max flow rate of the microvalve at 6 bar	NI / s	1.2	1.2
Operating temperature	°C	-10 ÷ +60	-10 ÷ +60
Weight	g	104	102